

Client:

Customer Ref.:

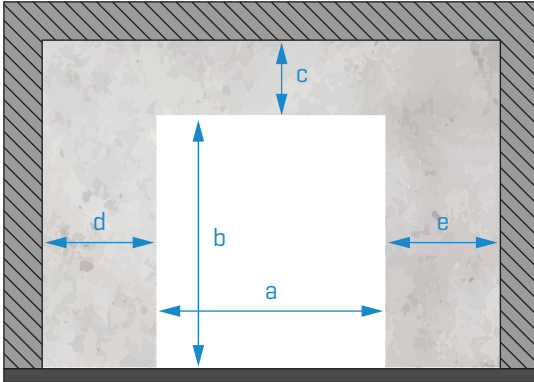
Date:

 / /

Desired supply date:

 / /

01. INSTALLATION AREA



Quantity



Local dimensions [mm]:



MANDATORY FILLING



a

b

c

d

e

PVC color:



<input type="checkbox"/> 5013	<input type="checkbox"/> 5002	<input type="checkbox"/> 5015
<input type="checkbox"/> 6026	<input type="checkbox"/> 3002	<input type="checkbox"/> 2004
<input type="checkbox"/> 1003	<input type="checkbox"/> 1015	<input type="checkbox"/> 9005
<input type="checkbox"/> 7037	<input type="checkbox"/> 7038	<input type="checkbox"/> 7035
<input type="checkbox"/> 9016	<input type="checkbox"/> 5010	<input type="checkbox"/> 7016

Other:

Additional devices:

<input type="checkbox"/> MPR020	<input type="checkbox"/> Remote control
<input type="checkbox"/> Tunnel kit	<input type="checkbox"/> Radars
<input type="checkbox"/> UPS [Price on request]	<input type="checkbox"/> Magnetic loop



Model

All doors are lacquered in RAL9010

Textured

If you want another colour or finish, please mention here:

STAINLESS STEEL 304

STAINLESS STEEL 316

Without transparent strip

Mark if you **do not want** transparent strip

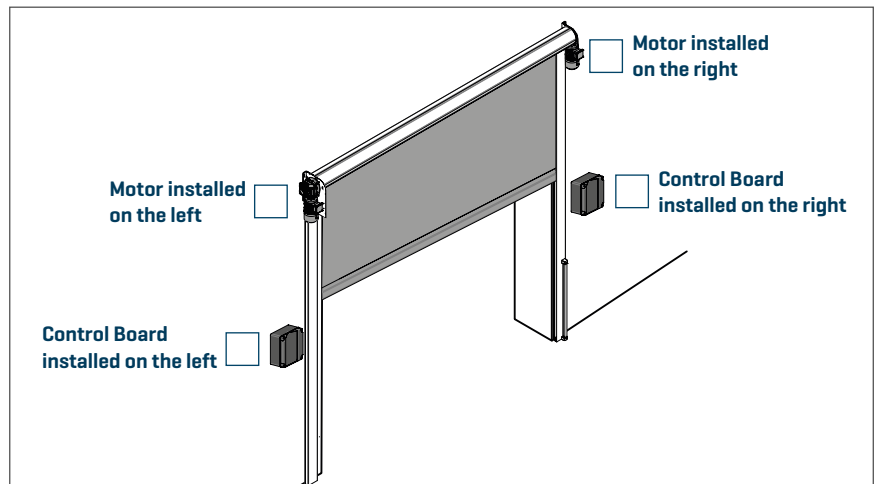
Other Options:



OBSERVATIONS:

IN THIS SPACE YOU SHOULD DESCRIBE EVERYTHING YOU FIND RELEVANT TO THE AUTOMATISM PRODUCTION

MOTOR AND CONTROL BOARD POSITION:



IN THIS SPACE YOU SHOULD DRAW EVERYTHING YOU FIND RELEVANT TO THE AUTOMATISM PRODUCTION

