

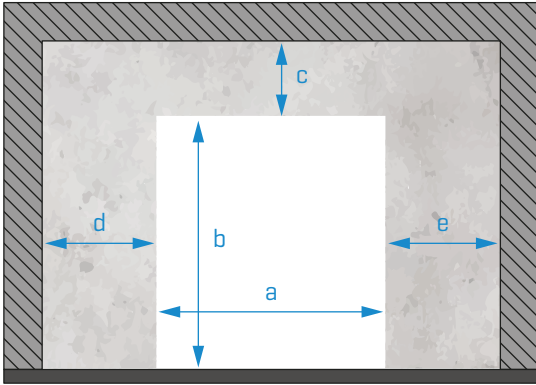
Client:

Customer Ref.:

Date:

Delivery desired date:

01. INSTALLATION AREA



Quantity

Local dimensions [mm]:

MANDATORY FILLING

a

b

c

d

e

PVC color:

<input type="checkbox"/> 5013	<input type="checkbox"/> 5002	<input type="checkbox"/> 5015
<input type="checkbox"/> 6026	<input type="checkbox"/> 3002	<input type="checkbox"/> 2004
<input type="checkbox"/> 1003	<input type="checkbox"/> 1015	<input type="checkbox"/> 9005
<input type="checkbox"/> 7037	<input type="checkbox"/> 7038	<input type="checkbox"/> 7035
<input type="checkbox"/> 9016	<input type="checkbox"/> 5010	<input type="checkbox"/> 7016

Other:

Additional devices:

<input type="checkbox"/> MPR020	<input type="checkbox"/> Remote control
<input type="checkbox"/> Tunnel kit	<input type="checkbox"/> Radars
<input type="checkbox"/> Anti-storm kit	<input type="checkbox"/> Magnetic loop
<input type="checkbox"/> UPS [Price on request]	



Model

All doors are lacquered in RAL 9010

Textured

If you want another colour or finish, please mention here:

STAINLESS STEEL 304 STAINLESS STEEL 316

Without transparent strip

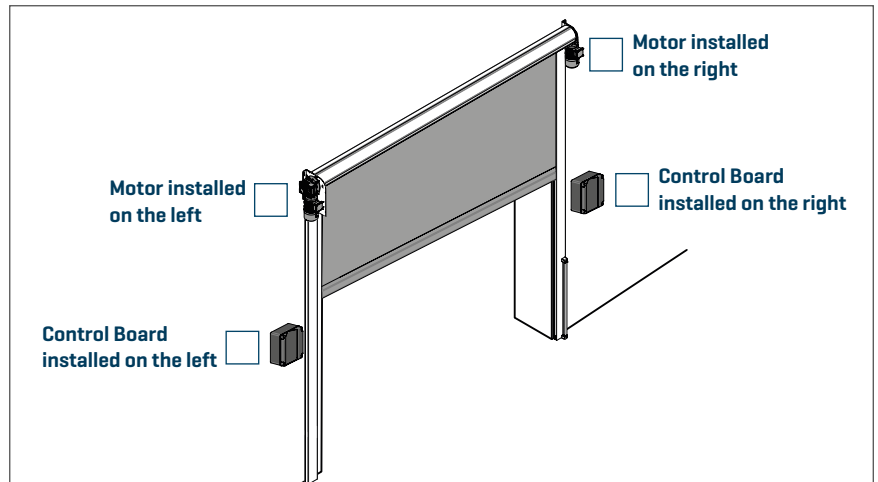
Mark if you **do not want** transparent strip

Other Options:

OBSERVATIONS:

IN THIS SPACE YOU SHOULD DESCRIBE EVERYTHING YOU FIND RELEVANT TO THE AUTOMATISM PRODUCTION

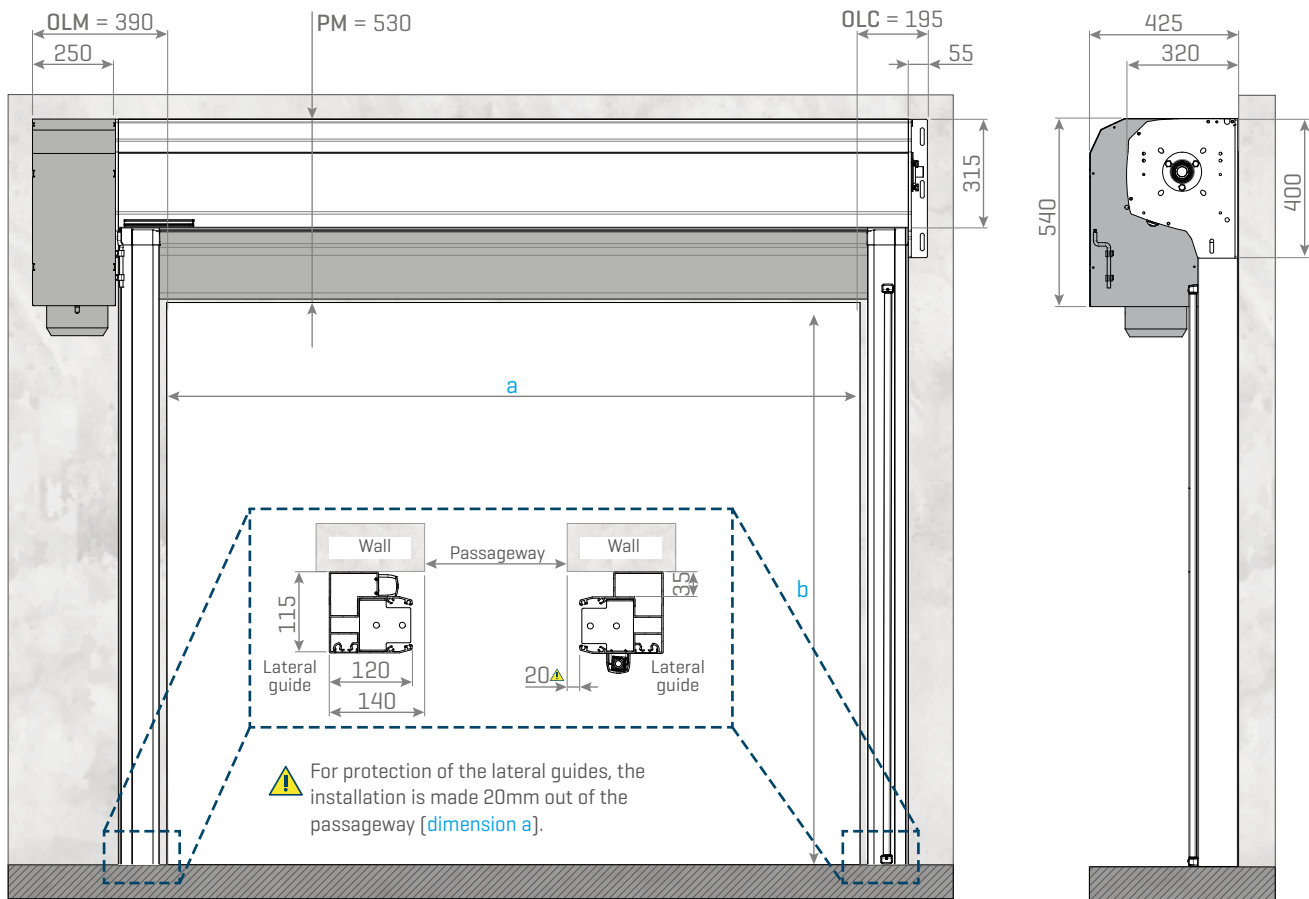
MOTOR AND CONTROL BOARD POSITION:



IN THIS SPACE YOU SHOULD DRAW EVERYTHING YOU FIND RELEVANT TO THE AUTOMATISM PRODUCTION

02. TECHNICAL DRAWING [NORMAL KIT]

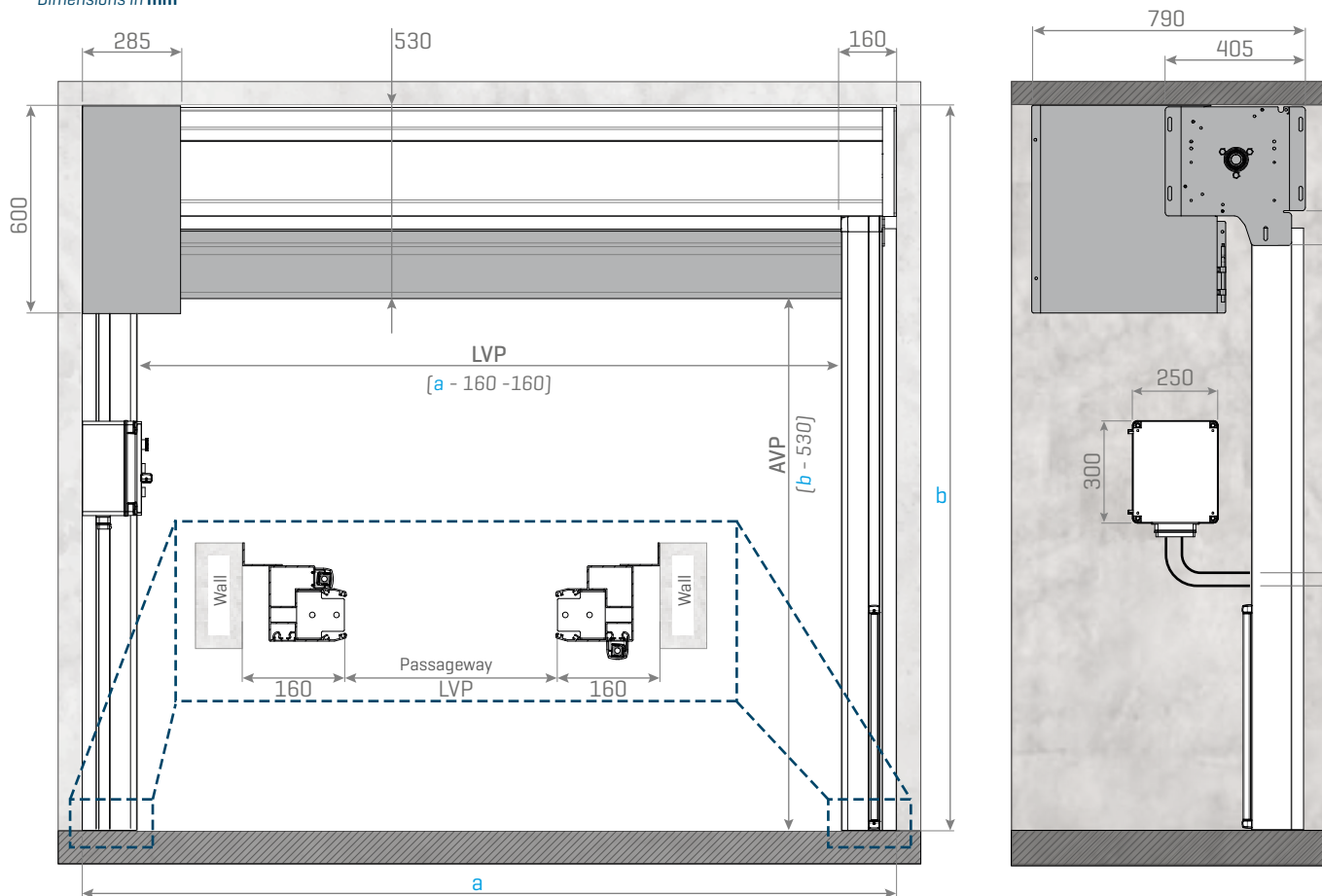
Dimensions in mm



Legenda: OLM - Motors side clearance; OLC - Opposite side clearance; PM - Minimum Lintel

02. TECHNICAL DRAWING [TUNNEL KIT]

Dimensions in mm



Legenda: LVP - Width of passageway; AVP - Height of passageway;