

Client:

Customer Ref.:

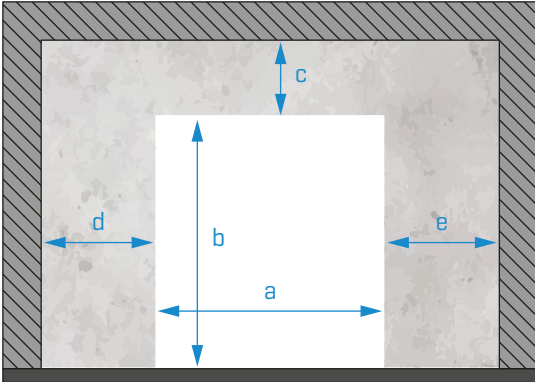
Date:

 / /

Delivery desired date:

 / /

01. INSTALLATION AREA



Quantity



Local dimensions [mm]:



MANDATORY FILLING



a

b

c

d

e

PVC color:



5013



5002



5015



6026



3002



2004



1003



1015



9005



7037



7038



7035



9016



5010



7016

Other:

Additional devices:

 MPR020

 Remote control

 Tunnel kit

 Radars

 UPS (Price on request)

 Magnetic loop


Model

All doors are lacquered in RAL9010

Textured

If you want another colour or finish, please mention here:

 STAINLESS STEEL 304

 STAINLESS STEEL 316

 Without transparent strip

Mark if you *do not want* transparent strip

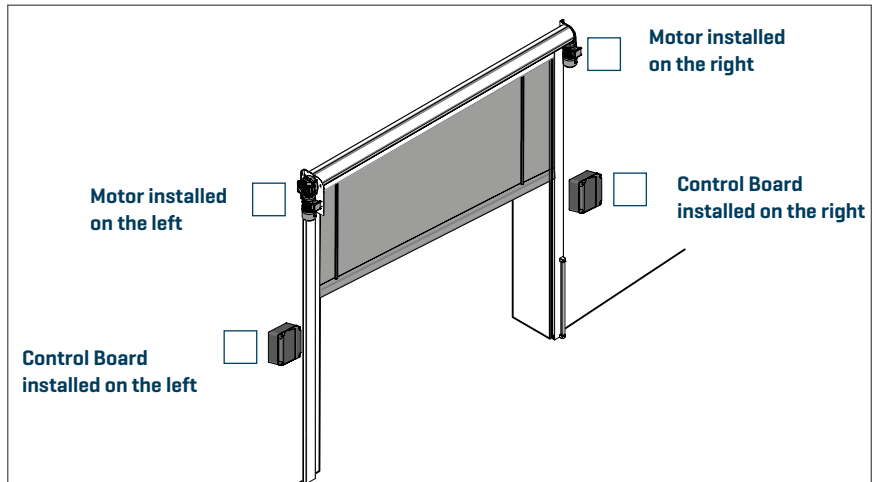
Other Options:



OBSERVATIONS:

IN THIS SPACE YOU SHOULD DESCRIBE EVERYTHING YOU FIND RELEVANT TO THE AUTOMATISM PRODUCTION

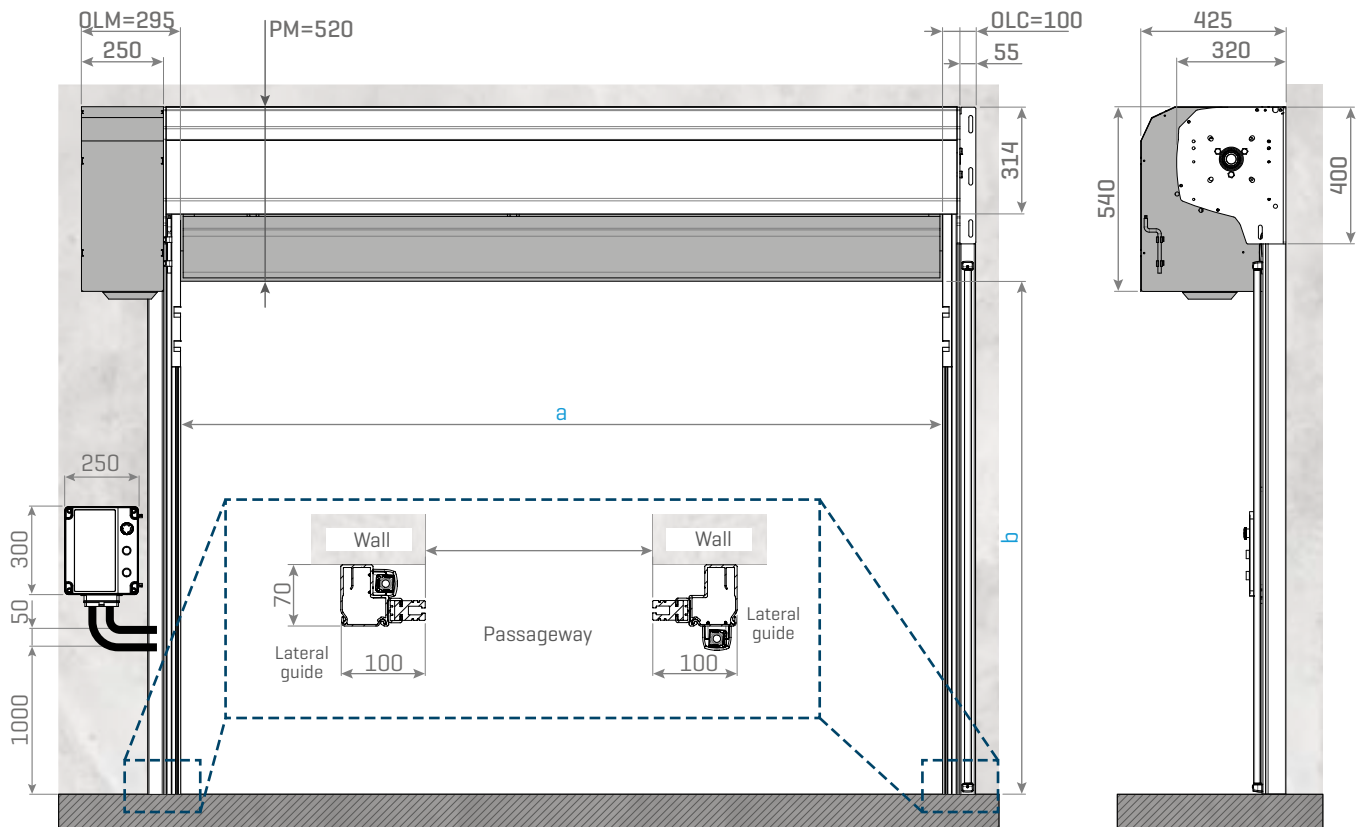
MOTOR AND CONTROL BOARD POSITION



IN THIS SPACE YOU SHOULD DRAW EVERYTHING YOU FIND RELEVANT TO THE AUTOMATISM PRODUCTION

02. TECHNICAL DRAWING (NORMAL KIT)

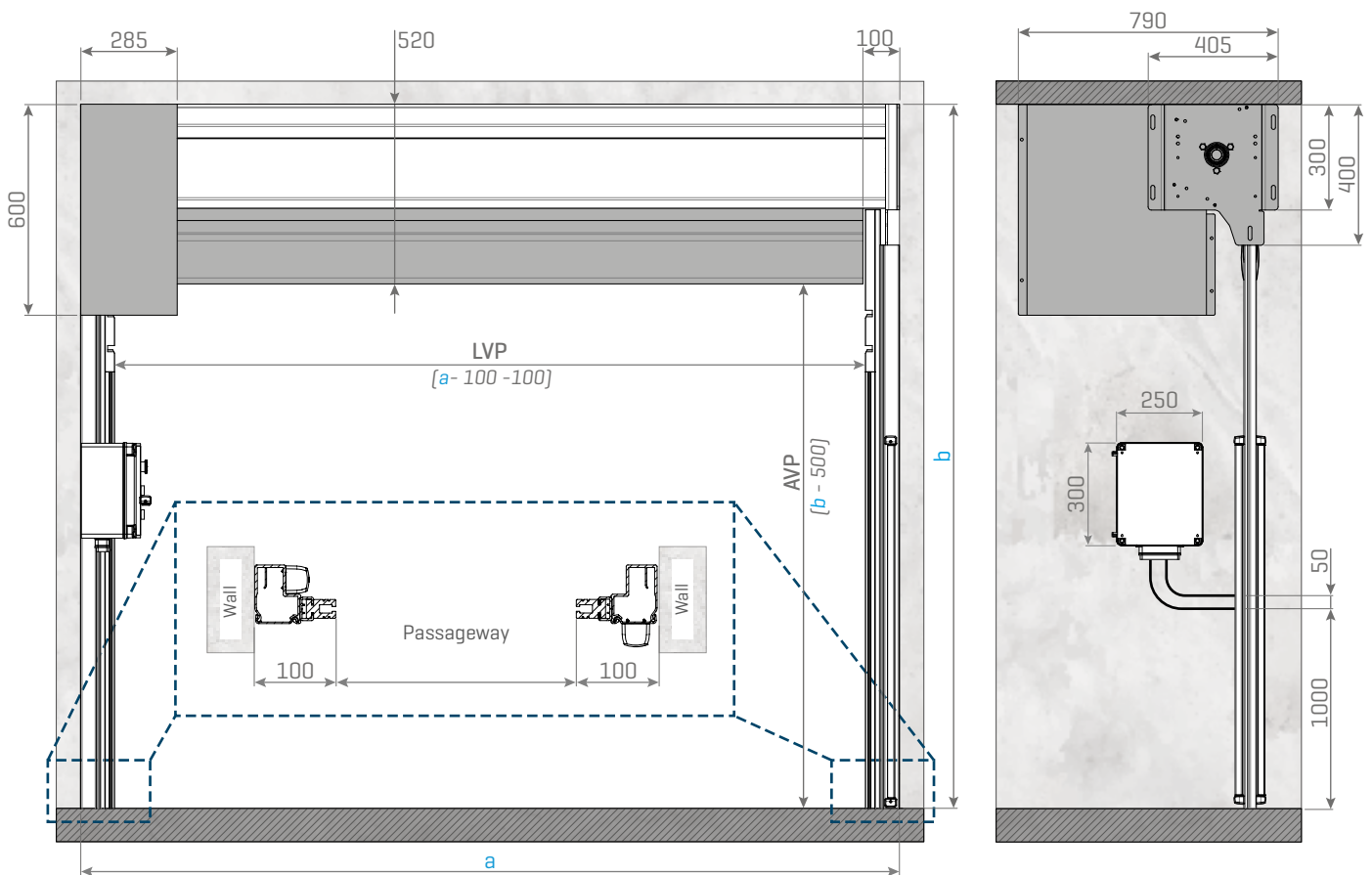
Dimensions in mm



Legend: OLM - Motors side clearance; OLC - Opposite side clearance; PM - Minimum Lintel;
LVP - Width of passageway; AVP - Height of passageway

03. TECHNICAL DRAWING (TUNNEL KIT)

Dimensions in mm



Legend: LVP - Width of passageway; AVP - Height of passageway