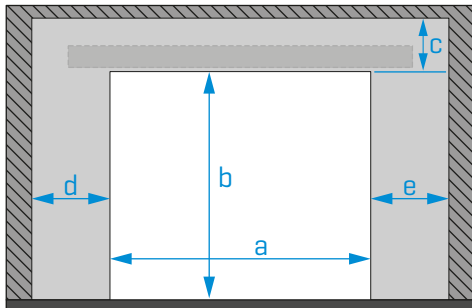


Client: \_\_\_\_\_

Date: \_\_\_\_ / \_\_\_\_ / \_\_\_\_

Desired supply date: \_\_\_\_ / \_\_\_\_ / \_\_\_\_

## 01. INSTALLATION LOCAL:



### Local dimensions (mm):

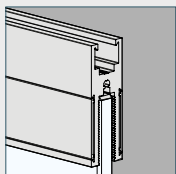
**!** Mandatory filling  
← follow scheme

- a [Clear passage width]
- b [Clear passage height]
- c [Lintel]
- d [Left lateral]
- e [Right lateral]

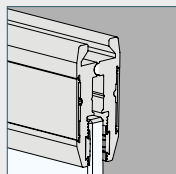
[machine size]

[width of leaf/clamps/frame]  
 [height of frame]

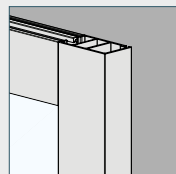
## 03. FINISHING OF SAFE / FRAME:



Fixation glass drilling F1



Fixation glass grip F2



Aluminium frame profile

C048 System

Anti-storm kit

Other devices/  
accessories: \_\_\_\_\_

### SAFE

**Textured finishing** [standard]:

- Natural anodized
- White powder coating - RAL9003
- Black powder coating - RAL9005

Another workmanship:

Lacquering | RAL color \_\_\_\_\_

### FRAME OR CLAMP

**Textured finishing** [standard]:

- Natural anodized
- White powder coating - RAL9003
- Black powder coating - RAL9005

Another workmanship:

Lacquering | RAL color \_\_\_\_\_

## 02. ADDITIONAL DEVICES:

Complete with X  
1, etc. **!**

- M1601 - Radar
- RAP50 - Radar
- MR30 - Radar with photocells  
↳  Ceiling fixing plate
- RAP100S - Radar with photocells
- FOT09S1A - Photocells
- MELE01 - Electric lock
- MR10 - Receiver
- FALK - Remote controls
- MB18 - Touch sensor
- SINTACT - No touch sensor
- MB17 - No touch sensor

## 04. GLASS

Only available in the model with frames

Tick if you want to order the  
glass for the door

**Mandatory completion of the  
production form**  
[available on the following pages] **!**

## 05. NUMBER OF LEAFS AND ORIENTATION:

[SELECT DESIRED OPTIONS WITH AN X]

**1**

- 2 mobile leaves
- Open to Right

**2**

- 2 mobile leaves
- Open to Left

**3**

- 4 mobile leaves

**4**

- 2 mobile leaves
- 1 fixed leaf
- Open to Left

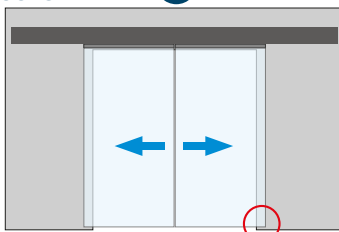
**5**

- 2 mobile leaves
- 1 fixed leaf
- Open to Right

**6**

- 4 mobile leaves
- 2 fixed leaf

## 06. OVERLAP:



In closed mode, a small overlap of the glass leaves with the wall is recommended for sealing, generally between 25 to 50mm.

For doors with profiles, for a better framing, is recommended an overlap of 55mm.

Please mark below the size of the overlap you want:

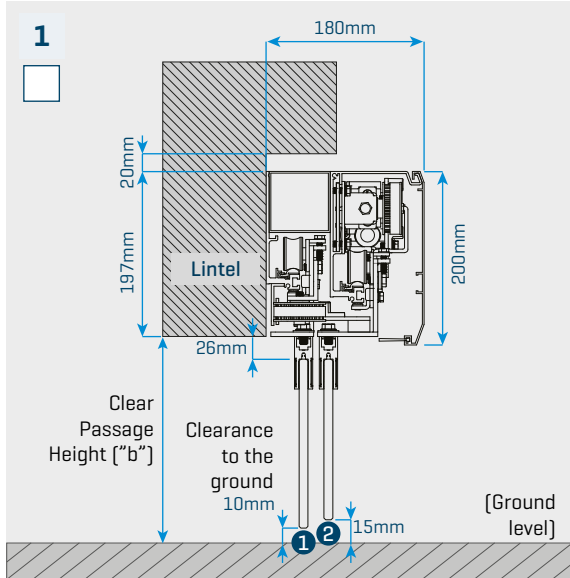
\_\_\_\_\_

# KAPV Telescopic - Automatic Sliding Door

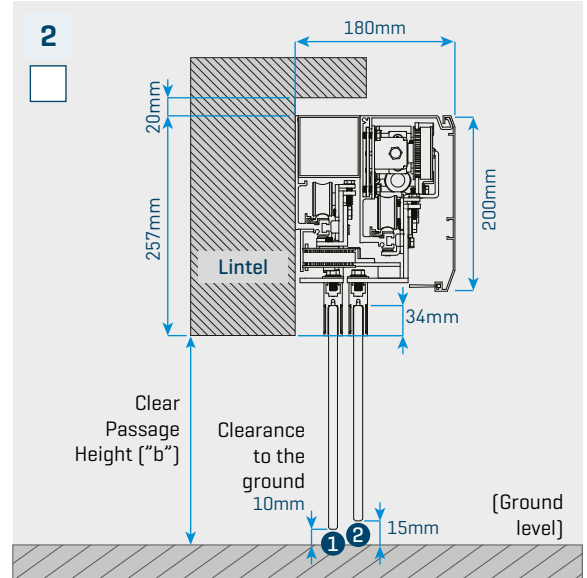
**! Must only send this sheet if you want the glass leaves to be provided with the automatism.**

## APPLICATION MODE - SIMPLE GLASS LEAF:

[SELECT WITH X THE DESIRED OPTION]



**Semi-visible mode**  
Glass fixing profiles stay visible from the outside [216mm of minimum lintel].  
Height of clear passage reduced in 4mm.



**Invisible mode**  
Glass fixing profiles stay hidden behind the lintel [277mm of minimum lintel].

## GLASS PRODUCTION:



**Use only 10mm TEMPERED GLASS**

We are not responsible if another type of glass is used.

### Example:

If you choose the "Semi-Visible Mode" and have a clear passage height of 2000mm, then the glass height 1 must be 1964mm [2000 - 36], the glass height 2 must be 1959mm [2000 - 41].

### SEMI-VISIBLE MODE:

① Height Glass Leaf = Clear Passage Height - 36mm

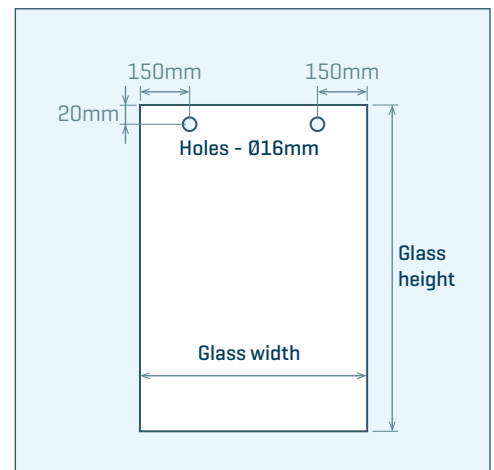
② Height Glass Leaf = Clear Passage Height - 41mm

### MODO INVISÍVEL:

① Height Glass Leaf = Clear Passage Height + 24mm

② Height Glass Leaf = Clear Passage Height + 19mm

### DRILLING GLASSES FOR FIX KIT:



## OBSERVATIONS:

[IN THIS SPACE YOU SHOULD DESCRIBE EVERYTHING YOU FIND RELEVANT TO THE AUTOMATISM PRODUCTION] 

---



---



---

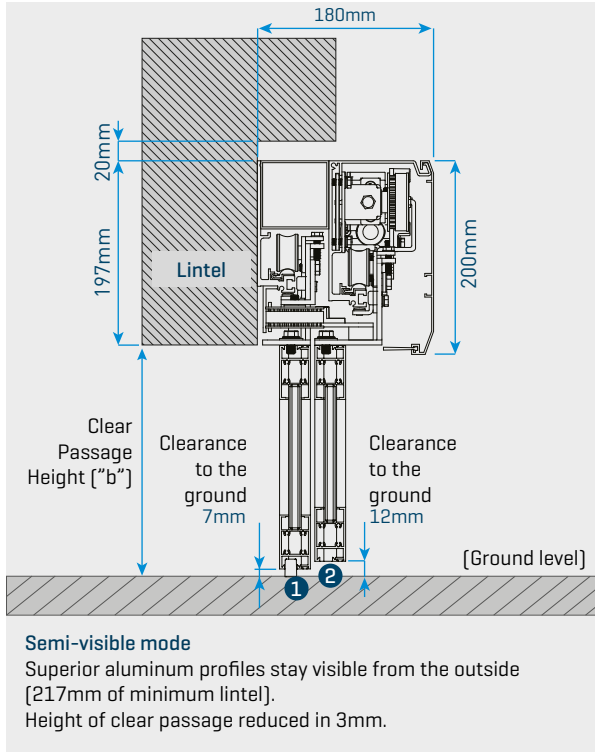


---



Must only send this sheet if you want the aluminum frames and/or glass leaves to be provided with automatism. Please refer in the "Observations" field if you want frames, glass or both.

## APPLICATION MODE - ALUMINUM FRAME



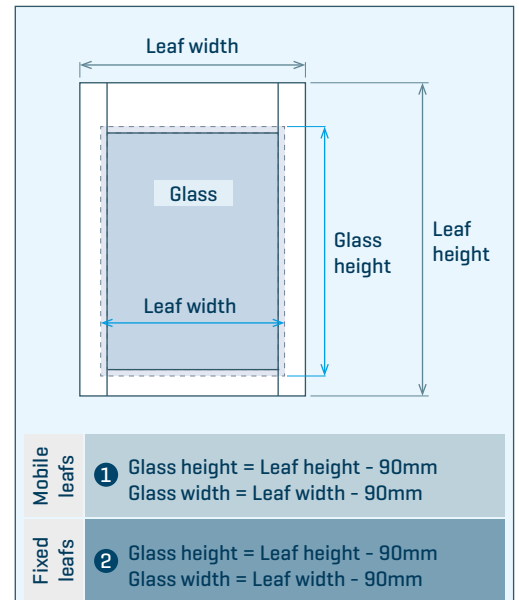
1	Leaf Height = Clear Passage Height - 7mm
2	Leaf Height = Clear Passage Height - 12mm

## GLASS PRODUCTION:

GLASS TYPE:

---

**Example:**  
If you choose the "Semi-Visible mode" and have a clear passage height of 2000mm, then the glass leaf height 1 must be 1903mm [1993 - 90], the glass leaf height 2 must be 1898mm [1988 - 90].



## OBSERVATIONS:

[IN THIS SPACE YOU SHOULD DESCRIBE EVERYTHING YOU FIND RELEVANT TO THE AUTOMATISM PRODUCTION]

---



---



---

# KAPV Telescopic - Automatic Sliding Door

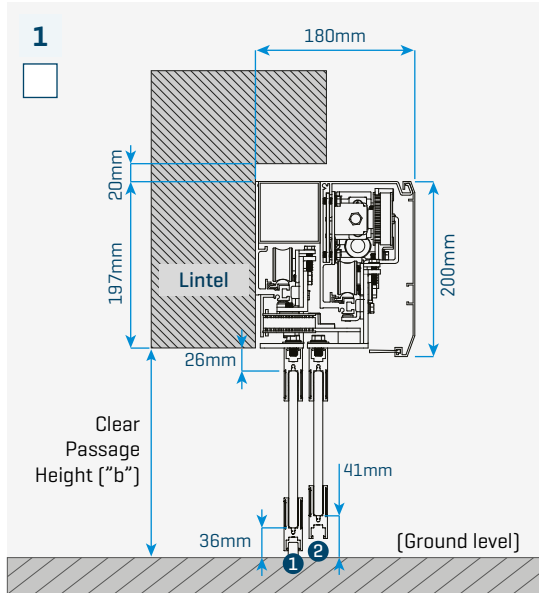


Must only send this sheet if you want the glass leaves to be provided with the automatism.

## APPLICATION METHOD - SINGLE GLASS WITH LOWER F1 CLAMP

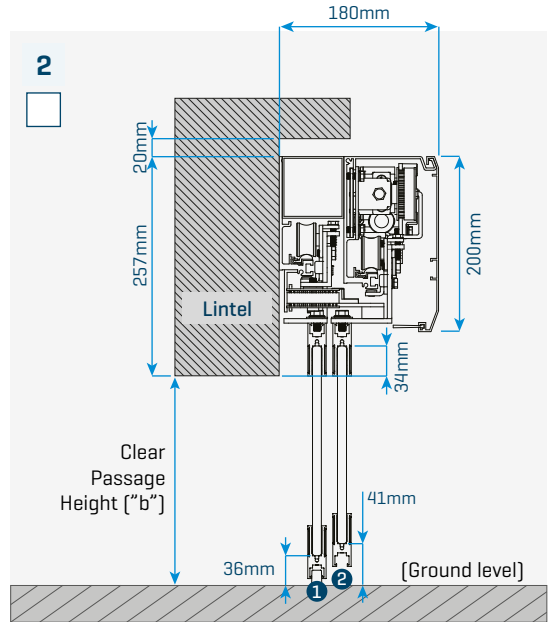


(SELECT WITH X THE DESIRED OPTION)



### Semi-visible mode

Superior aluminum profiles stay visible from the outside [217mm of minimum lintel].  
Height of clear passage reduced in 4mm.



### Invisible mode

Superior aluminum profiles stay invisible from the outside [277mm of minimum lintel].

## GLASS PRODUCTION:



Use only 10mm TEMPERED GLASS

We are not responsible if another type of glass is used.

### Example:

If you choose the "Semi-Visible mode" and have a clear passage height of 2000mm, then the glass leaf height 1 must be 1938mm [2000 - 62], glass leaf height 2 must be 1933mm [2000 - 67].

### SEMI-VISIBLE MODE:

①  $\text{Height Glass Leaf} = \text{Clear Passage Height} - 62\text{mm}$

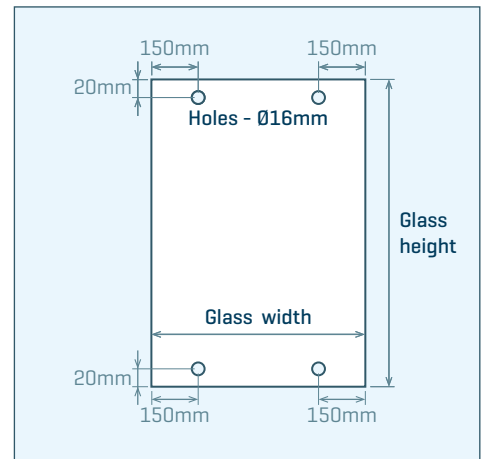
②  $\text{Height Glass Leaf} = \text{Clear Passage Height} - 67\text{mm}$

### INVISIBLE MODE:

①  $\text{Height Glass Leaf} = \text{Clear Passage Height} - 2\text{mm}$

②  $\text{Height Glass Leaf} = \text{Clear Passage Height} - 7\text{mm}$

### DRILLING GLASSES FOR FIX KIT:



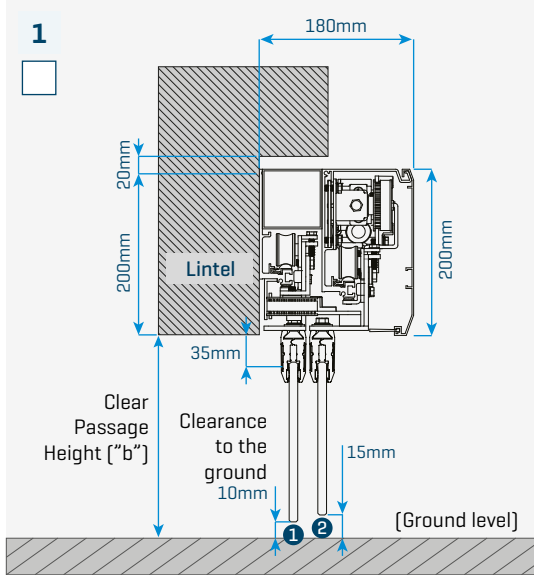
## OBSERVATIONS:

(IN THIS SPACE YOU SHOULD DESCRIBE EVERYTHING YOU FIND RELEVANT TO THE AUTOMATISM PRODUCTION)



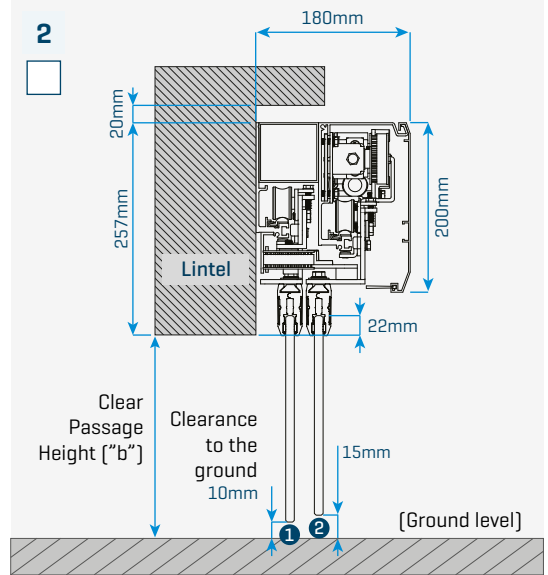
**!** Must only send this sheet if you want the glass leaves to be provided with the automatism.

**APPLICATION MODE - SIMPLE GLASS LEAF WITH CLAMP:**   
 [SELECT WITH X THE DESIRED OPTION]



**Semi-visible mode**

Glass fixing profiles stay visible from the outside [220mm of minimum lintel].



**Invisible mode**

Glass fixing profiles stay hidden behind the lintel [277mm of minimum lintel].

**GLASS PRODUCTION:** 

GLASS TYPE:

---

**Example:**

If you choose the "Semi-Visible mode" and have a clear passage height of 2000mm, then the glass leaf height 1 must be 1955mm [2000 - 45], the glass leaf height 2 must be 1950mm [2000 - 50].

**SEMI-VISIBLE MODE:**

① Height Glass Leaf = Clear Passage Height - 45mm


② Height Glass Leaf = Clear Passage Height - 50mm

**INVISIBLE MODE:**

① Height Glass Leaf = Clear Passage Height + 12mm

② Height Glass Leaf = Clear Passage Height + 7mm

**OBSERVATIONS:**

[IN THIS SPACE YOU SHOULD DESCRIBE EVERYTHING YOU FIND RELEVANT TO THE AUTOMATISM PRODUCTION] 

---



---



---

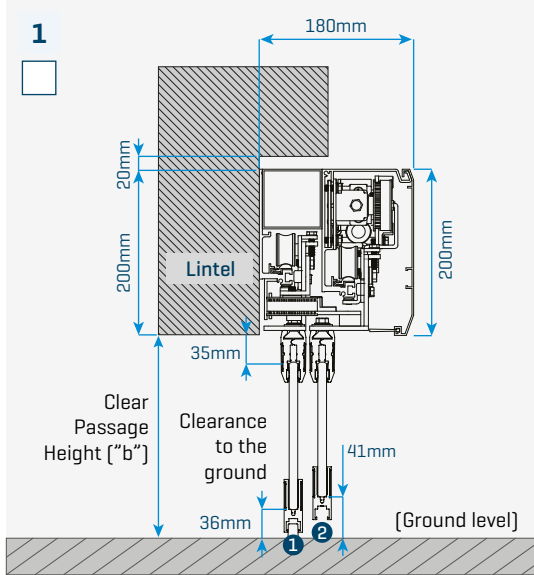
# KAPV Telescopic - Automatic Sliding Door



Must only send this sheet if you want the glass leaves to be provided with the automatism.

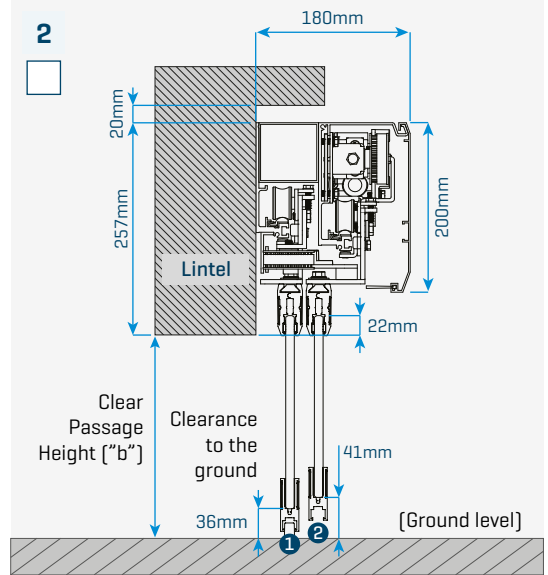
## APPLICATION MODE - SIMPLE GLASS WITH F2 GLAMP AND F1 INFERIOR FIXING KIT:

[SELECT WITH X THE DESIRED OPTION]



### Semi-visible mode

Glass fixing profiles stay visible from the outside [220mm of minimum lintel].



### Invisible mode

Glass fixing profiles stay hidden behind the lintel [277mm of minimum lintel].

## GLASS PRODUCTION:

GLASS TYPE:

---

### Example:

If you choose the "Semi-Visible mode" and have a clear passage height of 2000mm, then the glass leaf height 1 must be 1929mm [2000 - 71], the glass leaf height 2 must be 1924mm [2000 - 76].

### SEMI-VISIBLE MODE:

①	Height Glass Leaf	=	Clear Passage Height	-	71mm
---	-------------------------	---	----------------------------	---	------


②	Height Glass Leaf	=	Clear Passage Height	-	76mm
---	-------------------------	---	----------------------------	---	------

### INVISIBLE MODE:

①	Height Glass Leaf	=	Clear Passage Height	-	14mm
---	-------------------------	---	----------------------------	---	------

②	Height Glass Leaf	=	Clear Passage Height	-	19mm
---	-------------------------	---	----------------------------	---	------

## OBSERVATIONS:

[IN THIS SPACE YOU SHOULD DESCRIBE EVERYTHING YOU FIND RELEVANT TO THE AUTOMATISM PRODUCTION] 

---



---



---



---