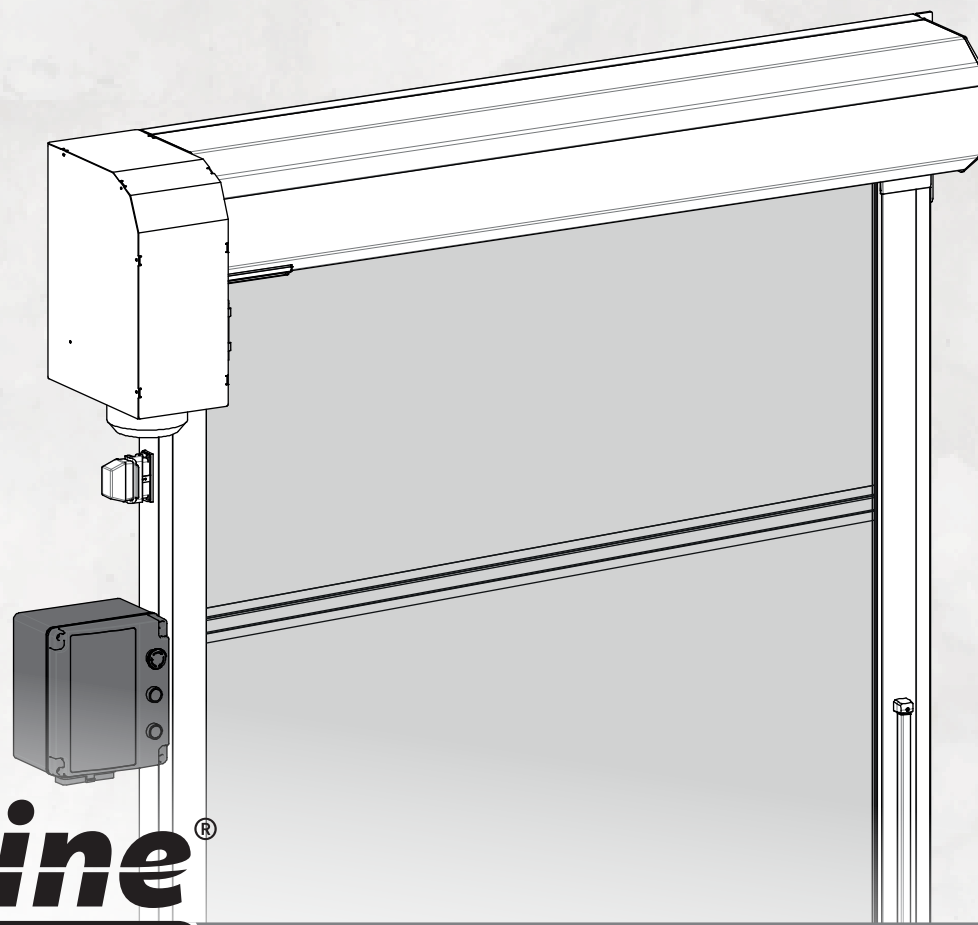




ECO PLUS RAPID ROLL-UP DOOR

USER'S AND INSTALLER'S MANUAL



motorline[®]
PROFESSIONAL








00. CONTENT

INDEX

01. SAFETY INSTRUCTIONS	
STANDARDS TO FOLLOW	1B
02. PACKAGE	
INSIDE PACKAGE	4A
03. AUTOMATISM	
TECHNICAL SPECIFICATIONS	4B
MANUAL OPENING/CLOSING	4B
DIMENSIONS - NORMAL KIT	5A
DIMENSIONS - TUNNEL KIT	5B
04. INSTALLATION	
INSTALLATION MAP	6
SAFE PROFILE FIXATION	7
LATERAL GUIDES AND CONTROL BOARD FIXATION	8
SAFE PROFILE FIXATION - TUNNEL KIT	9
LATERAL GUIDES AND CONTROL BOARD FIXATION - TUNNEL KIT	10
05. LIMIT-SWITCHES	
LIMIT-SWITCHES ADJUSTMENT	11
06. MAINTENANCE	
MAINTENANCE TASKS AND FREQUENCY	12
EU DECLARATION OF CONFORMITY	13

01. SAFETY INSTRUCTIONS

	This product is certified in accordance with European Community (EC) safety standards.
RoHS	This product complies with Directive 2011/65/EU of the European Parliament and of the Council, of 8 June 2011, on the restriction of the use of certain hazardous substances in electrical and electronic equipment and with Delegated Directive (EU) 2015/863 from Commission.
	(Applicable in countries with recycling systems). This marking on the product or literature indicates that the product and electronic accessories (eg. Charger, USB cable, electronic material, controls, etc.) should not be disposed of as other household waste at the end of its useful life. To avoid possible harm to the environment or human health resulting from the uncontrolled disposal of waste, separate these items from other types of waste and recycle them responsibly to promote the sustainable reuse of material resources. Home users should contact the dealer where they purchased this product or the National Environment Agency for details on where and how they can take these items for environmentally safe recycling. Business users should contact their vendor and check the terms and conditions of the purchase agreement. This product and its electronic accessories should not be mixed with other commercial waste.
	This marking indicates that batteries should not be discarded like other household waste at the end of their useful life. Batteries must be delivered to selective collection points for recycling.
	The different types of packaging (cardboard, plastic, etc.) must be subject to selective collection for recycling. Separate packaging and recycle it responsibly.
	This marking indicates that the product and electronic accessories (eg. charger, USB cable, electronic material, controls, etc.) are susceptible to electric shock by direct or indirect contact with electricity. Be cautious when handling the product and observe all safety procedures in this manual.

01. SAFETY INSTRUCTIONS

GENERAL WARNINGS

- This manual contains very important safety and usage information. Read all instructions carefully before beginning the installation/usage procedures and keep this manual in a safe place that it can be consulted whenever necessary.
- This product is intended for use only as described in this manual. Any other enforcement or operation that is not mentioned is expressly prohibited, as it may damage the product and put people at risk causing serious injuries.
- This manual is intended firstly for specialized technicians, and does not invalidate the user's responsibility to read the "User Norms" section in order to ensure the correct functioning of the product.
- The installation and repair of this product may be done by qualified and specialized technicians, to assure every procedure are carried out in accordance with applicable rules and norms. Nonprofessional and inexperienced users are expressly prohibited of taking any action, unless explicitly requested by specialized technicians to do so.
- Installations must be frequently inspected for unbalance and the wear signals of the cables, springs, hinges, wheels, supports and other mechanical assembly parts.
- Do not use the product if it is necessary repair or adjustment is required.
- When performing maintenance, cleaning and replacement of parts, the product must be disconnected from power supply. Also including any operation that requires opening the product cover.
- The use, cleaning and maintenance of this product may be carried out by any persons aged eight years old and over and persons whose physical, sensorial or mental capacities are lower, or by persons without any knowledge of the product, provided that these are supervision and instructions given by persons with experienced in terms of usage of the product in a safe manner and who understands the risks and dangers involved.

- Children shouldn't play with the product or opening devices to avoid the motorized door or gate from being triggered involuntarily.
- If the power cable is damaged, it must be replaced by the manufacturer, after-sales service or similarly qualified personnel to avoid danger.
- The device must be disconnected from the electrical network when removing the battery.
- Ensure that blocking is avoided between the actuated part and its fixed parts due to the opening movement of the actuated part.

WARNINGS FOR TECHNICIANS

- Before beginning the installation procedures, make sure that you have all the devices and materials necessary to complete the installation of the product.
- You should note your Protection Index (IP) and operating temperature to ensure that is suitable for the installation site.
- Provide the manual of the product to the user and let them know how to handle it in an emergency.
- If the automatism is installed on a gate with a pedestrian door, a door locking mechanism must be installed while the gate is in motion.
- Do not install the product "upside down" or supported by elements do not support its weight. If necessary, add brackets at strategic points to ensure the safety of the automatism.
- Do not install the product in explosive site.
- Safety devices must protect the possible crushing, cutting, transport and danger areas of the motorized door or gate.
- Verify that the elements to be automated (gates, door, windows, blinds, etc.) are in perfect function, aligned and level. Also verify if the necessary mechanical stops are in the appropriate places.
- The control board must be installed on a safe place of any fluid (rain, moisture, etc.), dust and pests.
- You must route the various electrical cables through protective tubes, to protect them against mechanical exertions, essentially on

01. SAFETY INSTRUCTIONS

the power supply cable. Please note that all the cables must enter the control board from the bottom.

- If the automatism is to be installed at a height of more than 2,5m from the ground or other level of access, the minimum safety and health requirements for the use of work equipment workers at the work of Directive 2009/104/CE of European Parliament and of the Council of 16 September 2009.
- Attach the permanent label for the manual release as close as possible to the release mechanism.
- Disconnect means, such as a switch or circuit breaker on the electrical panel, must be provided on the product's fixed power supply leads in accordance with the installation rules.
- If the product to be installed requires power supply of 230Vac or 110Vac, ensure that connection is to an electrical panel with ground connection.
- The product is only powered by low voltage safety with control board (only at 24V motors).
- Parts/products weighing more than 20 kg must be handled with special care due to the risk of injury. It is recommended to use suitable auxiliary systems for moving or lifting heavy objects.
- Pay special attention to the danger of falling objects or uncontrolled movement of doors/gates during the installation or operation of this product.

WARNINGS FOR USERS

- Keep this manual in a safe place to be consulted whenever necessary.
- If the product has contact with fluids without being prepared, it must immediately disconnect from the power supply to avoid short circuits, and consult a specialized technician.
- Ensure that technician has provided you the product manual and informed you how to handle the product in an emergency.
- If the system requires any repair or modification, unlock the automatism, turn off the power and do not use it until all safety

conditions have been met.

- In the event of tripping of circuits breakers or fuse failure, locate the malfunction and solve it before resetting the circuit breaker or replacing the fuse. If the malfunction is not repairable by consult this manual, contact a technician.
- Keep the operation area of the motorized gate free while the gate in in motion, and do not create strength to the gate movement.
- Do not perform any operation on mechanical elements or hinges if the product is in motion.

RESPONSABILITY

- Supplier disclaims any liability if:
 - Product failure or deformation result from improper installation use or maintenance!
 - Safety norms are not followed in the installation, use and maintenance of the product.
 - Instructions in this manual are not followed.
 - Damaged is caused by unauthorized modifications
 - In these cases, the warranty is voided.

MOTORLINE ELECTROCELOS SA.

Travessa do Sobreiro, nº29
4755-474 Rio Côvo (Santa Eugénia)
Barcelos, Portugal

SYMBOLS LEGEND:



• Important safety notices



• Useful information



• Programming information



• Potentiometer information



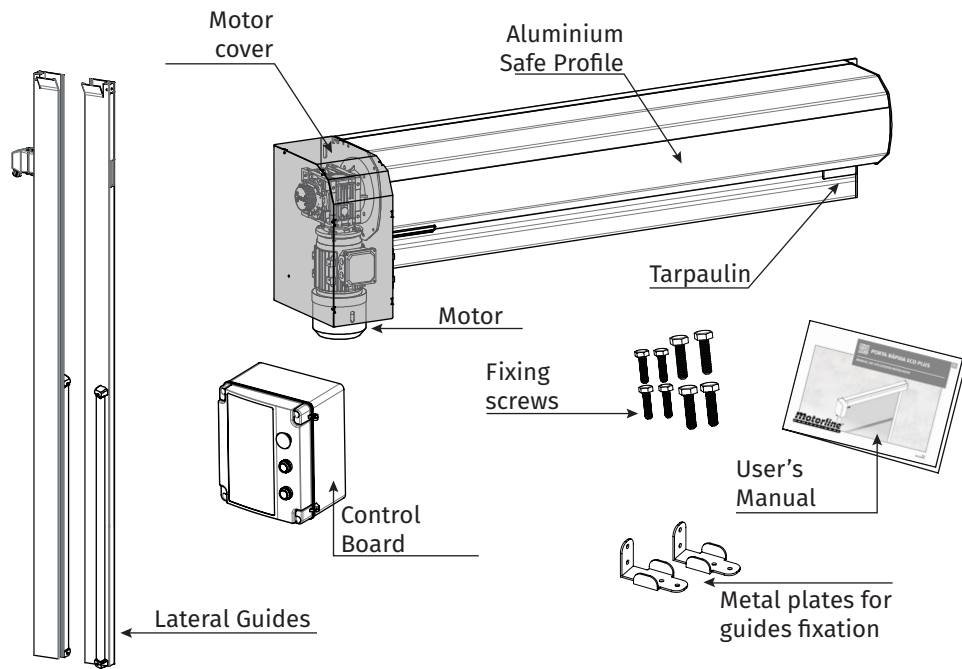
• Connectors information



• Buttons information

02. PACKAGE

INSIDE PACKAGE



TECHNICAL SPECIFICATIONS

The **ECO PLUS** rapid door is built with its own white lacquered aluminum profiles and is suitable for areas with low air pressure, as it has 3 to 4 reinforcement bars. It is certified to **IP23** protection level.

TARPAULIN	
• Yarn	2 x 1100 dtex PES HT
• Weight	900 g/m ²
• Tensile strength	400/400 daN/5 cm
• Tear resistance	45/45 daN
• Operating temperature	-30°C to 70°C
• Grip	10/10 daN/5 cm

TRANSPARENT STRIP	Up to -10°C	Above -10°C
• Thickness	1mm	1mm
• Material	PVC	PVC
• Hardness	4s/49phr	-
• Weight	1240g/m ²	-
• Tensile strength	226,5~250,9N	19,40~21,30Mpa
• Tear resistance	77,9~80,9N	10,80~12,70Mpa
• Elasticity	-	452~505%
• Cold cracking	-50°C ~ -45°C	-
• Light Passage	Yes	Yes

03. AUTOMATISM

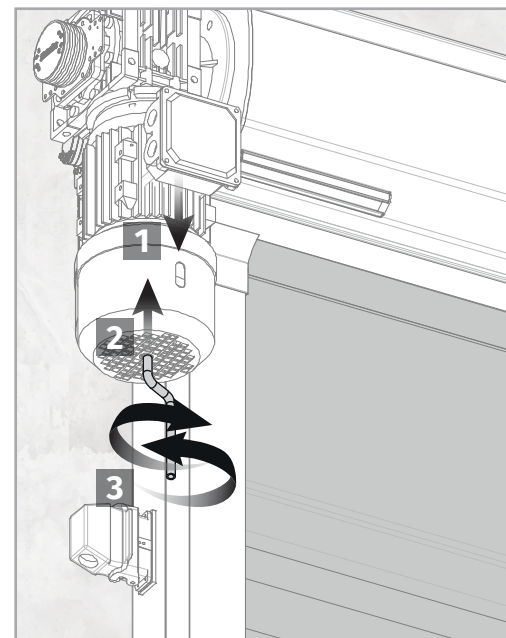
TECHNICAL SPECIFICATIONS

MOTOR	
• Power supply	230V 50/60Hz
• Power	750W
• Rotational speed	140 (±)
• Force	45 Nm
• Opening speed *	670mm/s to 1020mm/s
• Reduction	1:15
• Operating temperature	-25°C to 55°C
• Noise	≤ 60dB
• Protection class	IP23
• Working frequency	Intensive
• Insulation Class	Class F



* Speed tolerance depends on selected frequency, door weight and operating conditions..

MANUAL OPENING/CLOSING



To open or close the door manually, simply pull and hold down the unlock lever and insert the crank, to turn the screw installed at the bottom of the motor (see image).

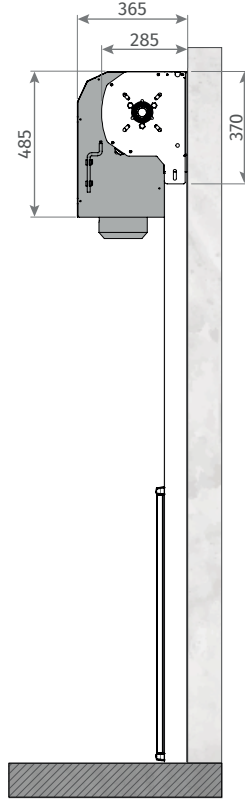
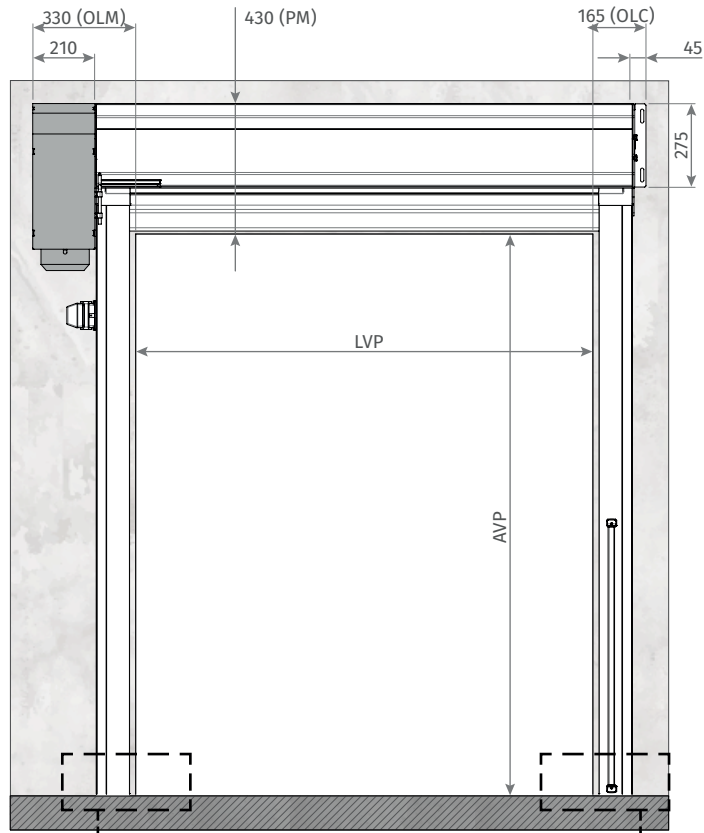
- Turning to the right will open the door and turning to the left will close.



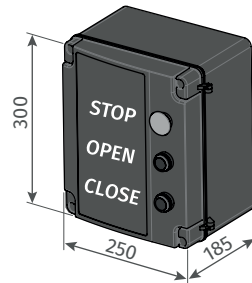
A drill machine with 6mm hexagon tool can also be used to move it faster.

03. AUTOMATISM

DIMENSIONS - NORMAL KIT



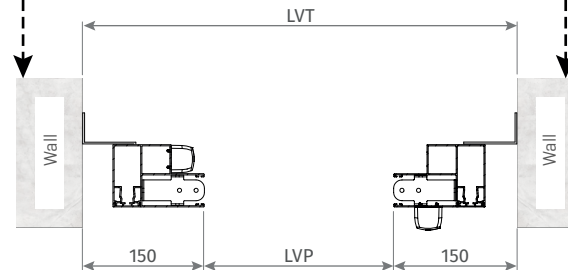
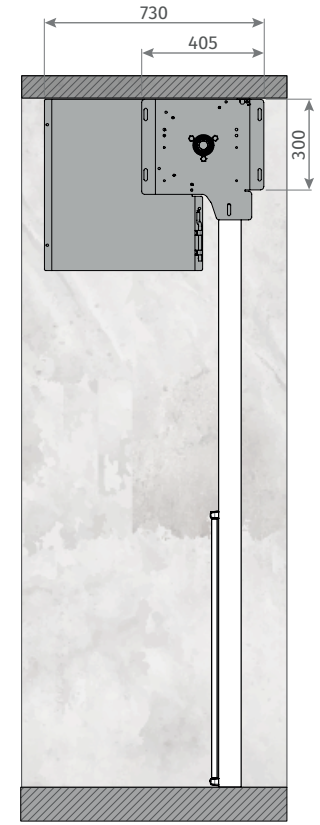
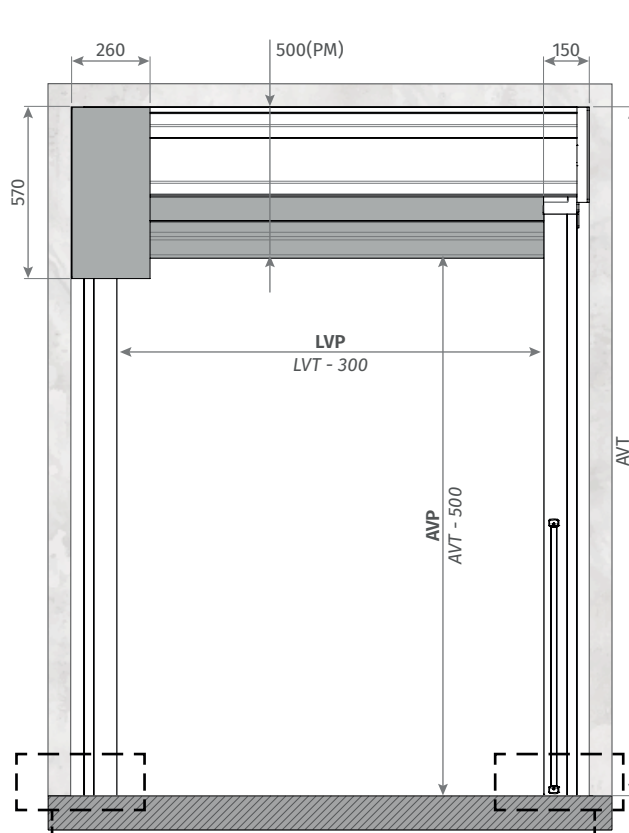
⚠ For lateral guide protection, the installation is made 10mm out of the passageway.



5A EN

03. AUTOMATISM

DIMENSIONS - TUNNEL KIT



LEGEND

- OLM • Motors side clearance
- OLC • Opposite side clearance
- PM • Minimum Lintel
- LVP • Passage Width
- LVT • Total Width
- AVP • Passage Height
- AVT • Total Height

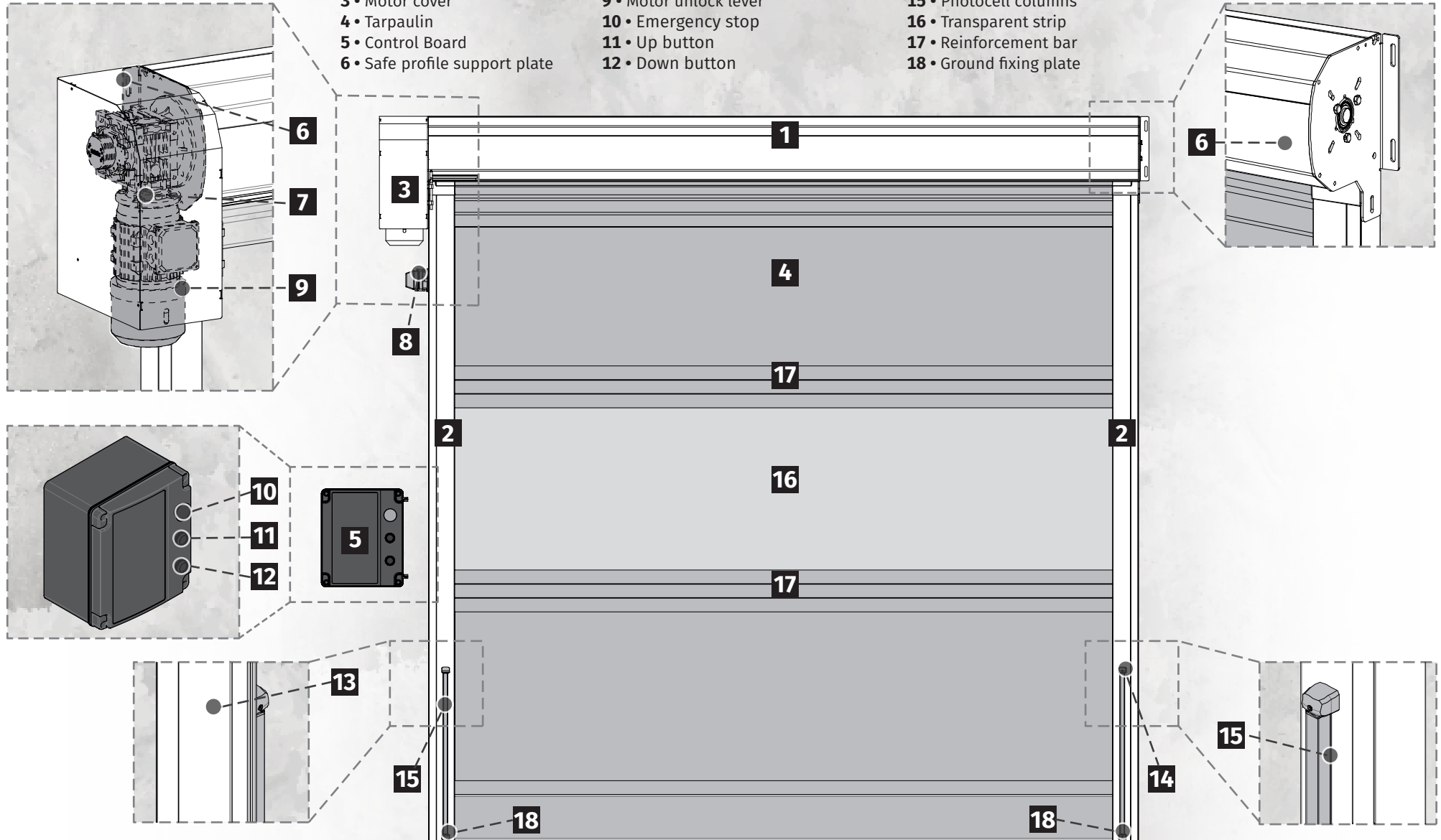
Dimensions shown in mm.

EN 5B

04. INSTALLATION

INSTALLATION MAP

- 1 • Aluminium safe profile
- 2 • Lateral Guides
- 3 • Motor cover
- 4 • Tarpaulin
- 5 • Control Board
- 6 • Safe profile support plate
- 7 • Motor
- 8 • Connector Connections
- 9 • Motor unlock lever
- 10 • Emergency stop
- 11 • Up button
- 12 • Down button
- 13 • Photocell fixation plate
- 14 • Photocell
- 15 • Photocell columns
- 16 • Transparent strip
- 17 • Reinforcement bar
- 18 • Ground fixing plate



04. INSTALLATION

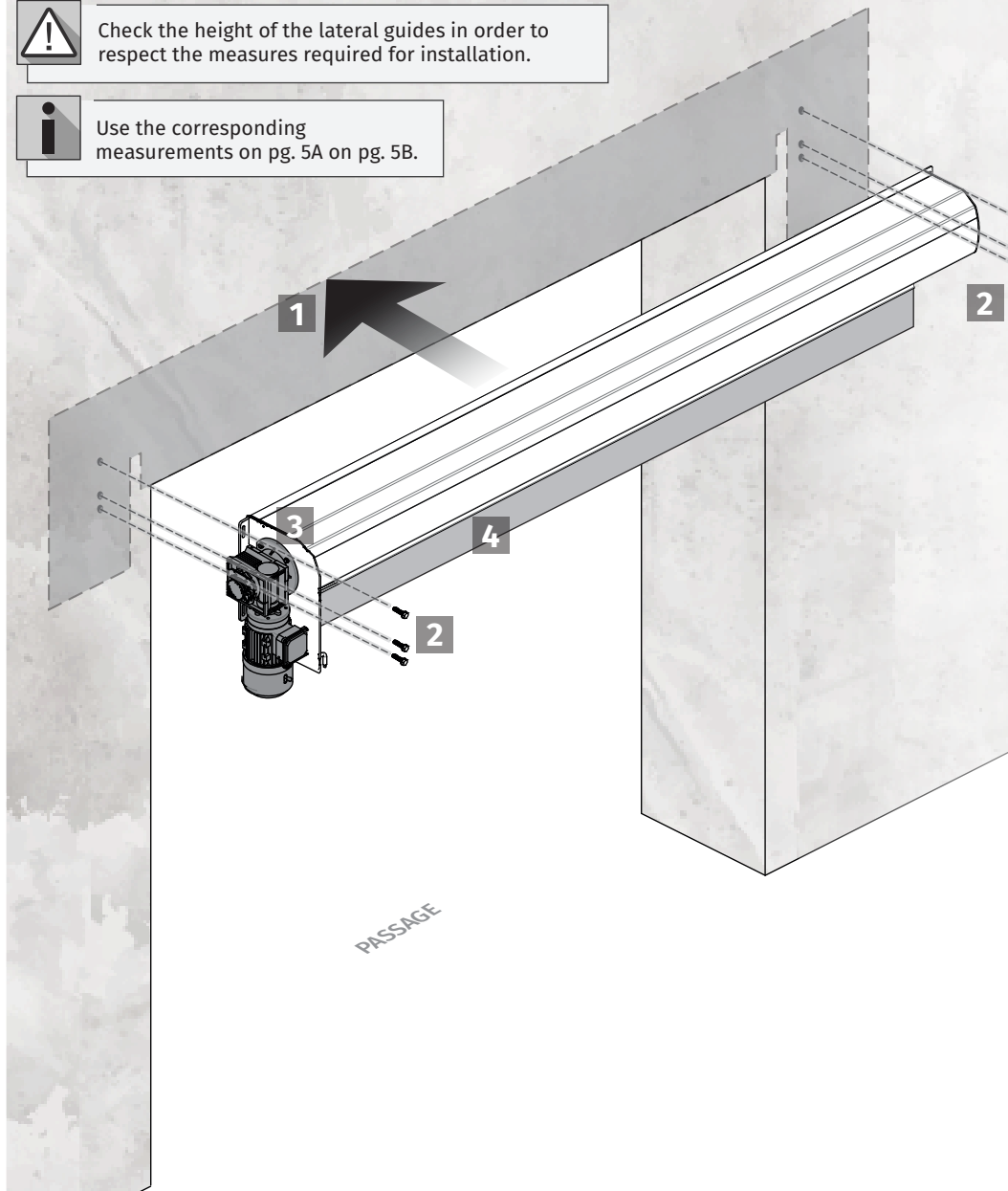
SAFE PROFILE FIXATION



Check the height of the lateral guides in order to respect the measures required for installation.



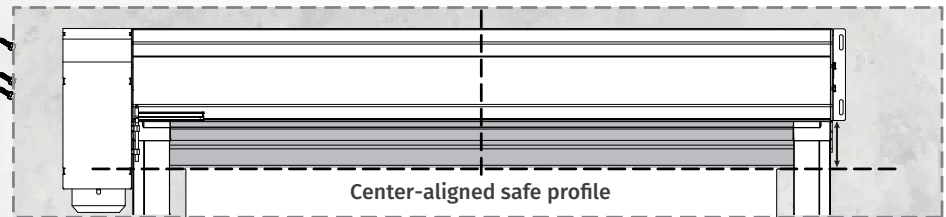
Use the corresponding measurements on pg. 5A on pg. 5B.



1 POSITIONING TOP SAFE

Apply the safe profile to the wall of the installation location, paying attention to horizontal leveling and the lintel

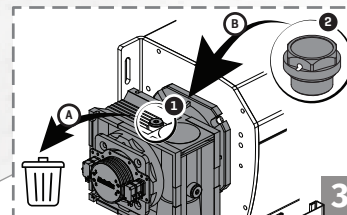
The safe profile should be centered with the passageway. Based on the holes in the support plates, mark the locations for drilling. Safe profile completely leaning against the walls and ceiling.



2 FIX TOP SAFE

Drill the holes at the marked locations, and then apply the safe profile to the wall, fixing it with dowels and screws, suitable to the installation place.

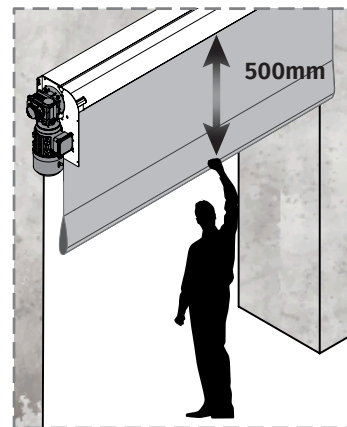
The safe profile must be securely fixed to prevent accidents.



3 CHANGE THE PLUG

After the installation is complete, you must:

- A** - Remove the motor plug facing upwards (1)
- B** - Apply the breather plug (2), supplied with the motoreducer

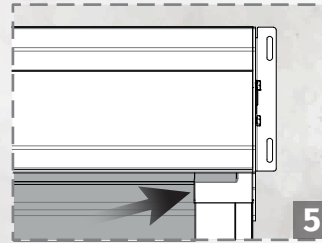
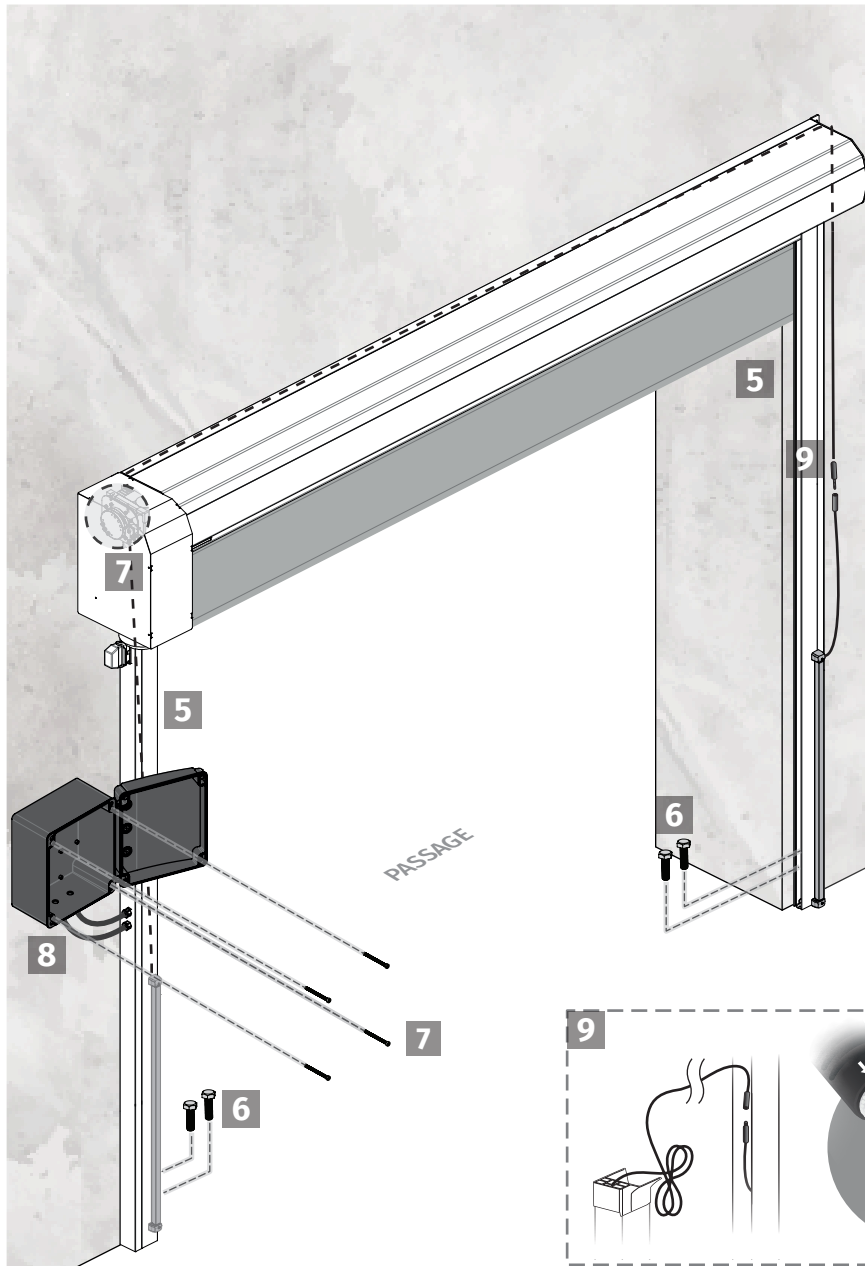


4 ADJUST TARPAULIN

Unlock the motor (pg. 4B) and pull the tarpaulin by hand about **500mm**.

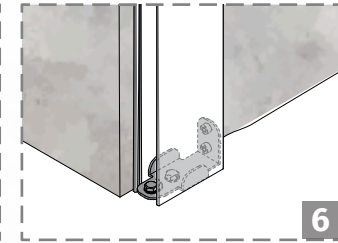
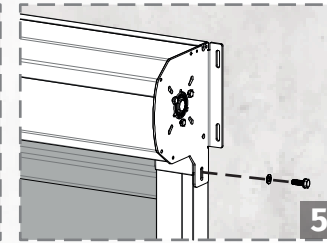
04. INSTALLATION

LATERAL GUIDES AND CONTROL BOARD FIXATION



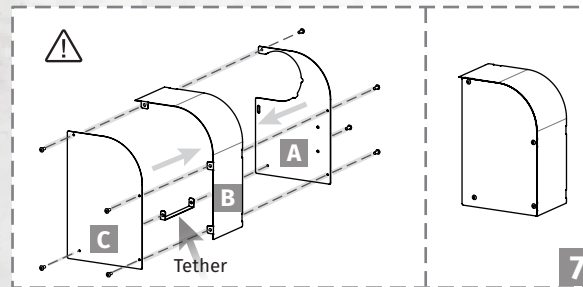
5 APPLY LATERAL GUIDES

Place the lateral guides by placing them on the inside of the support plates and leaning against the wall. The tarpaulin must be inside the lateral guides so that it can always go up and down inside. Secure the lateral guides to the support plates with screws, tightening them to the nuts on the lateral guides.



6 FIX LATERAL GUIDES TO THE GROUND

Start by drilling holes in the floor taking into account the holes already in the plates for the application of the screws. Finally, tighten the screws until the guides are properly secured.



7 PLACE MOTOR COVER

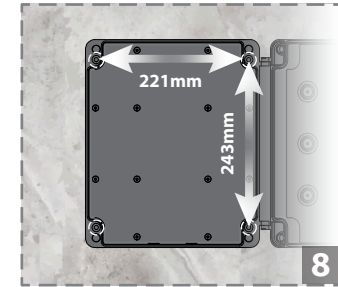
⚠ First, adjust the limit switch (see page 11).

7.1 Fasten plate B to plate A.

7.2 Attach the tether to plate A.

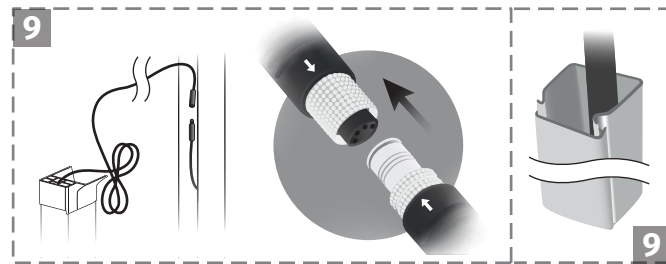
7.3 Attach plate C to plate B and the tether.

7.4 Tighten the 2 screws at the top of the cover.



8 FIX CONTROL BOARD

Determine the location for fixing the control board and fix it to the wall.



9 CONNECTION MF200 PLUG

Connect the RX cable (control board side) to the TX cable on the opposite side. When connecting, the arrows indicated on the cables must face each other.

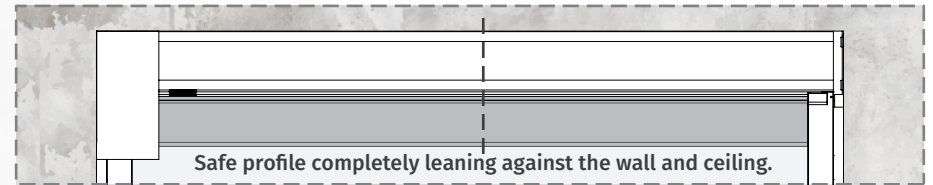
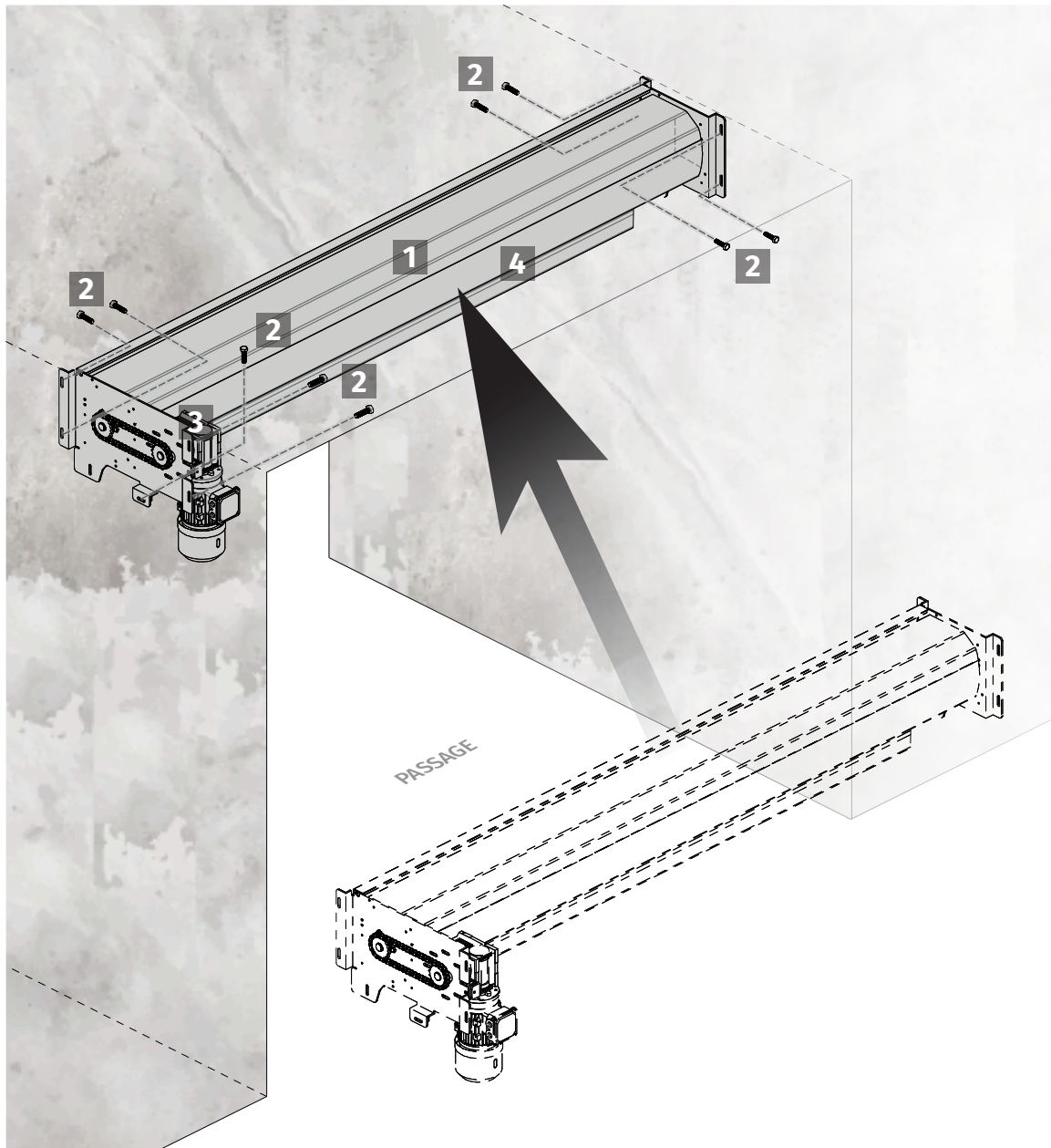
Nota: We recommend using a cable trunking along the route you choose for the cable.



Consult the product manual for more detailed information on installation and adjustments of the MF200 photocells.

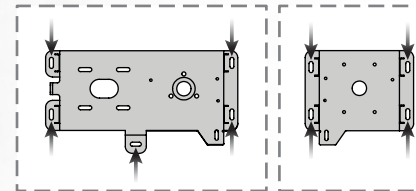
04. INSTALLATION

SAFE PROFILE FIXATION - TUNNEL KIT



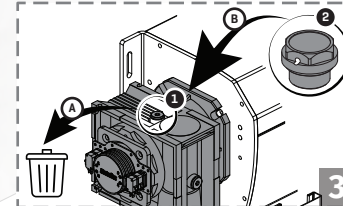
1 POSITION TOP SAFE

Insert the safe profile into the tunnel and apply at the desired location for installation, taking into account the horizontal leveling. Based on the holes in the support plates, mark the locations for drilling.



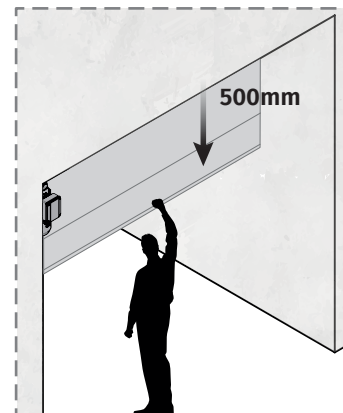
2 FIX TOP SAFE

Drill the holes at the marked locations, and then apply the safe profile to the wall, fixing it with dowels and screws. **The safe profile must be securely fastened to prevent accidents.**



3 CHANGE THE PLUG

After the installation is complete, you must:
A - Remove the motor plug facing upwards (1)
B - Apply the breather plug (2), supplied with the motoreducer

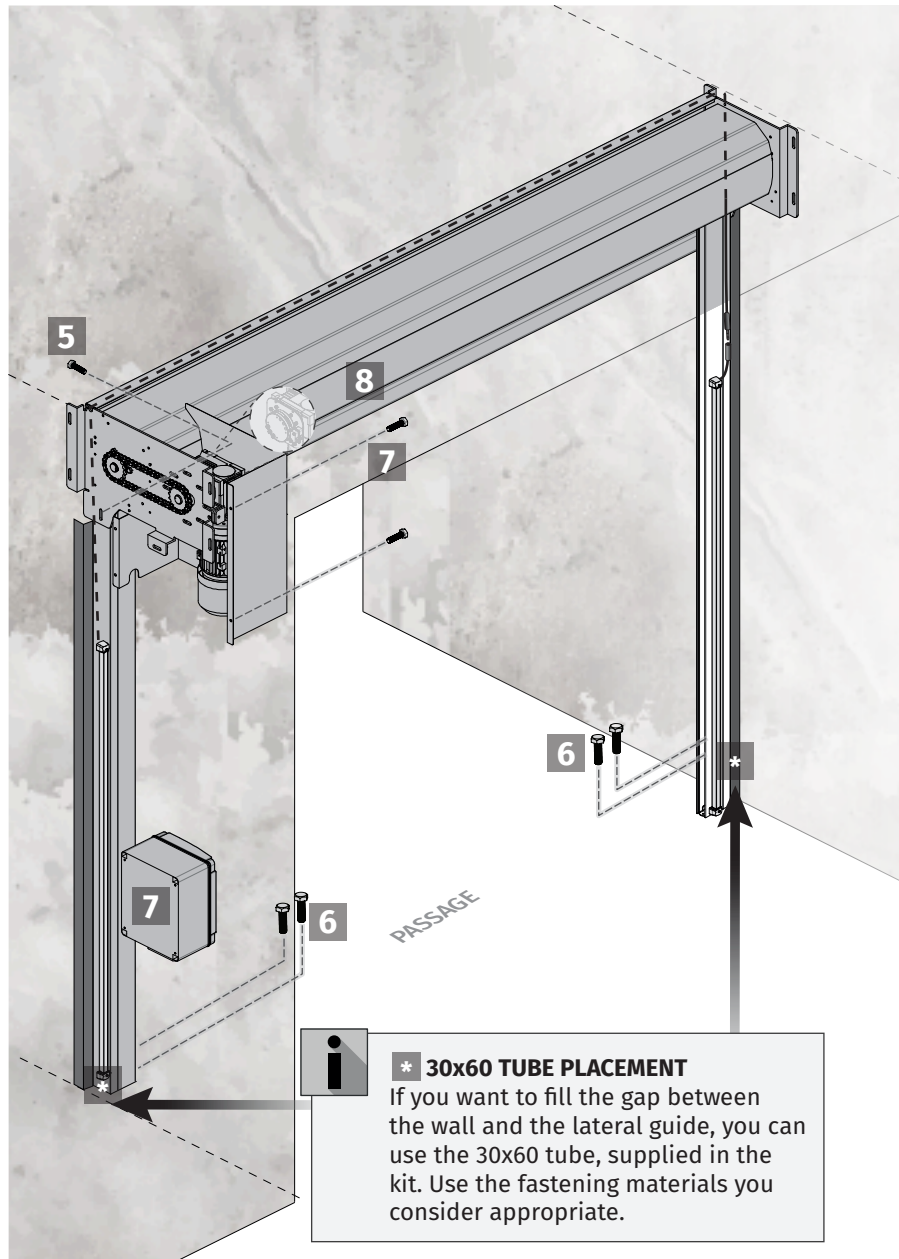


4 ADJUST TARPAULIN

Unlock the motor (page 4B) and pull the tarpaulin by hand about 500mm.

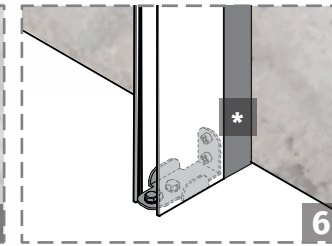
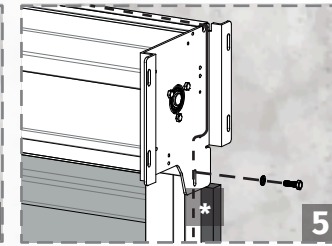
04. INSTALLATION

LATERAL GUIDES AND CONTROL BOARD FIXATION - TUNNEL KIT



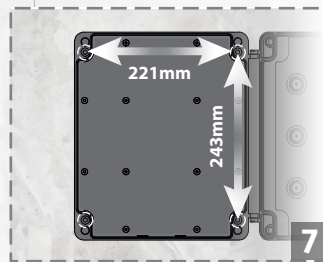
5 APPLY LATERAL GUIDES

Place the lateral guides by placing them on the inside of the support plates and leaning against the wall. The tarpaulin must be inside the lateral guides so that it can always go up and down inside. Secure the lateral guides to the support plates with screws, tightening them to the nuts on the lateral guides.



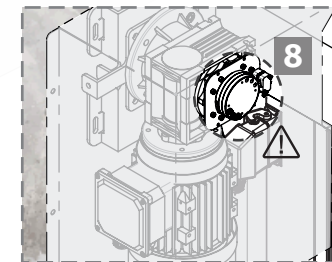
6 FIX LATERAL GUIDES TO THE GROUND

Start by drilling holes in the floor taking into account the holes already in the plates for the application of the screws. Finally, tighten the screws until the guides are properly secured.



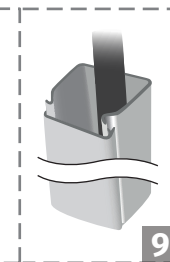
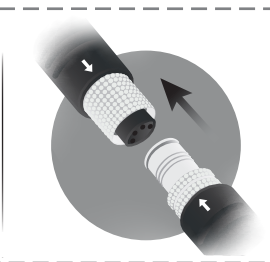
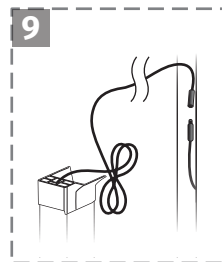
7 FIX CONTROL BOARD

Determine the location for fixing the control board and fix it to the wall.



8 PLACE MOTOR COVER

⚠ First, adjust the limit switch (page 11). Apply the motor cover and secure it by tightening the 2 screws.



9 CONNECTION MF200 PLUG

Connect the RX cable (control board side) to the TX cable on the opposite side. When connecting, the arrows indicated on the cables must face each other.

Note: We recommend using a cable trunking along the route you choose for the cable.

i *** 30x60 TUBE PLACEMENT**
If you want to fill the gap between the wall and the lateral guide, you can use the 30x60 tube, supplied in the kit. Use the fastening materials you consider appropriate.

i Consult the product manual for more detailed information on installation and adjustments of the MF200 photocells.

05. LIMIT-SWITCHES

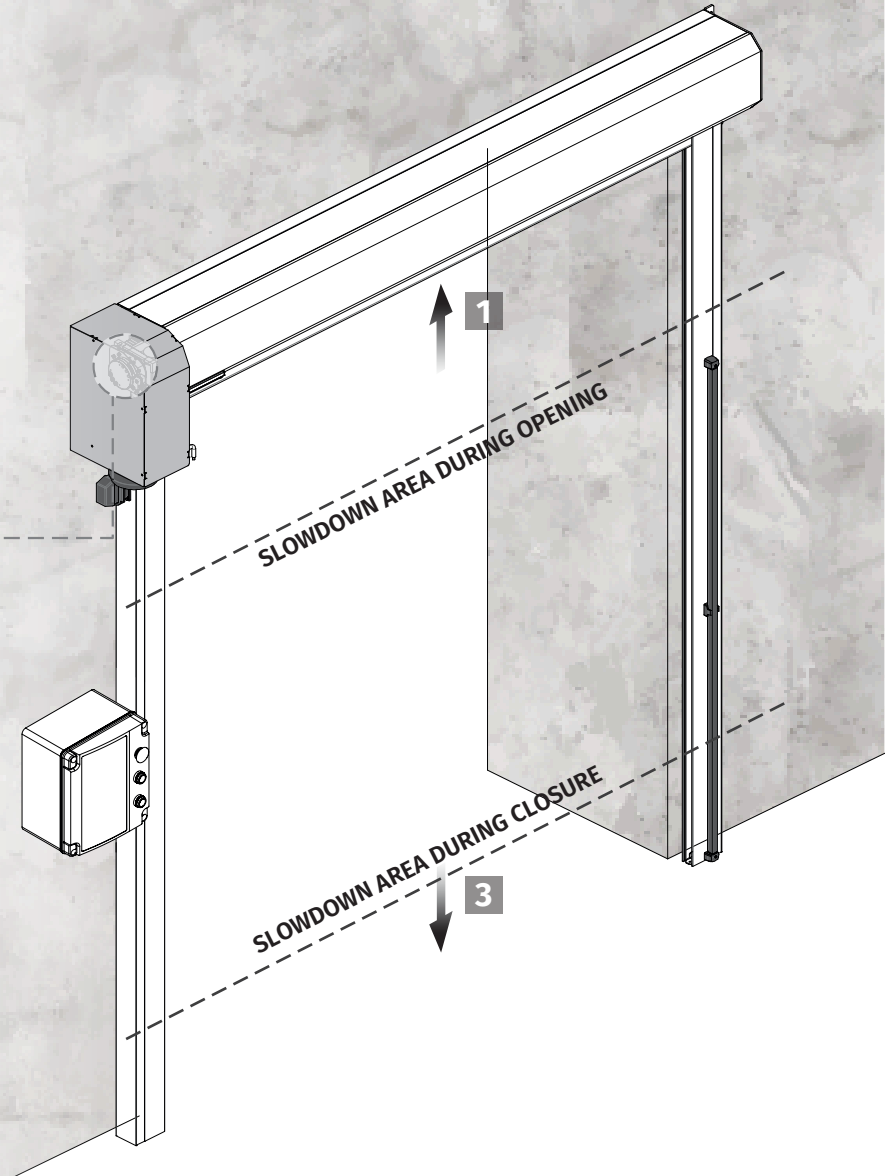
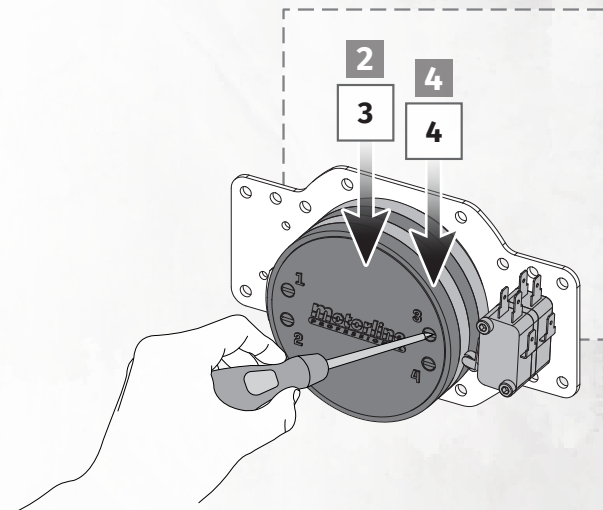
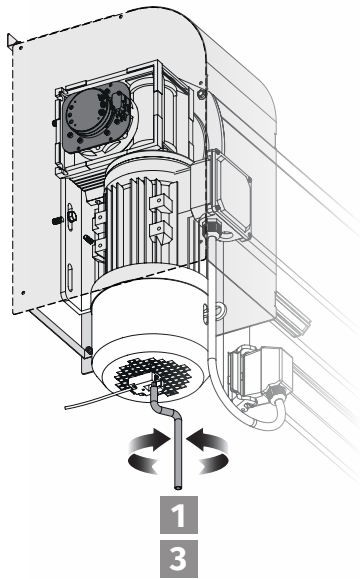
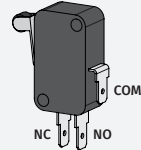
LIMIT-SWITCHES ADJUSTMENT



• ADJUSTMENT

The ring 4 should activate the micro switch from below, and the ring 3 should activate the micro switch from above, as shown in the image below.

• CONNECTIONS



- 1 Manually place the door in the area you want for the opening slowdown.
- 2 Turn the adjusting screw 4 until the limit switch ring 4 activates the corresponding microswitch.
- 3 Manually place the door in the area you want for the closure slowdown.
- 4 Turn the adjusting screw 3 until the limit switch ring 3 activates the corresponding microswitch.

06. MAINTENANCE

MAINTENANCE TASKS AND FREQUENCY

During maintenance/revision check the parameters mentioned below.
On the date you carry out the maintenance, mark with an "X" the tasks performed.

	Frequency (months)				Date	Date	Date	Date	Date	Date	Date	
	6	12	24	36								
1. MECHANICAL OPERATION												
Fastening the door to the X-frame		X			/ /	/ /	/ /	/ /	/ /	/ /	/ /	
Noise from scrolling points		X			/ /	/ /	/ /	/ /	/ /	/ /	/ /	
Electric brake - manual release		X			/ /	/ /	/ /	/ /	/ /	/ /	/ /	
Door speed		X			/ /	/ /	/ /	/ /	/ /	/ /	/ /	
Insect cleaning		X			/ /	/ /	/ /	/ /	/ /	/ /	/ /	
Friction points on the tarpaulin to prevent tearing		X			/ /	/ /	/ /	/ /	/ /	/ /	/ /	
2. ELECTRICAL FUNCTIONING												
Power supply protected by circuit breaker and ground wire		X			/ /	/ /	/ /	/ /	/ /	/ /	/ /	
Cable connection		X			/ /	/ /	/ /	/ /	/ /	/ /	/ /	
Operation of photocells at idle and maximum speed		X			/ /	/ /	/ /	/ /	/ /	/ /	/ /	
Bottom security (bottom profile)		X			/ /	/ /	/ /	/ /	/ /	/ /	/ /	
Soft stop and start		X			/ /	/ /	/ /	/ /	/ /	/ /	/ /	
Advertising		X			/ /	/ /	/ /	/ /	/ /	/ /	/ /	
Label for recording the intervention		X			/ /	/ /	/ /	/ /	/ /	/ /	/ /	
CE marking label		X			/ /	/ /	/ /	/ /	/ /	/ /	/ /	
Company / Technician:												



Since maintenance standards vary depending on the legislation in force in the country where the fire curtain is being installed, the installer must verify that the recommended maintenance frequency is correct.

EU DECLARATION OF CONFORMITY



EU Declaration of Conformity

Perfil: Mod.010
Revisão: 8.8

It is hereby declared that **MOTORLINE ELECTROCELOS, S.A.**, located in **Travessa do Sobreiro, 29, 4755-474 Rio Côvo – Barcelos**, obtained and affix the CE marking on the product mentioned below, due to its design and construction method, as well as in our commercialized version, in conformity with the EC directive basics requirements of safety and health. This declaration is invalid if occurs any alteration in the product without our agreement.

Brand: **Motorline Professional**

Model: **ECO PLUS**

As such, the product meets with the following European directives:

Directive	Standards
2014/35/EU	EN 61800-5-1:2007/A1:2017
2014/30/EU	EN 61800-3:2004/A1:2012
2009/125/EC	EN 61800-9-2:2017
REG 305/2011	EN 13241-1:2003+A2:2016
2006/42/EC	EN 12978:2003+A1:2009
2011/65/EU	
2015/863/EC	

Barcelos, October 24, 2022.


motorline  **electrocelos**
MOTORLINE ELECTROCELOS S.A.
(A Administration)

Motorline Electrocelos S.A. Travessa do Sobreiro, nº29 +351 253 830 060
NIPC 503 612 871 4755-474 Rio Côvo (Sta Eugénia) mail@motorline.pt
Barcelos, Portugal www.motorline.pt

