



MR10

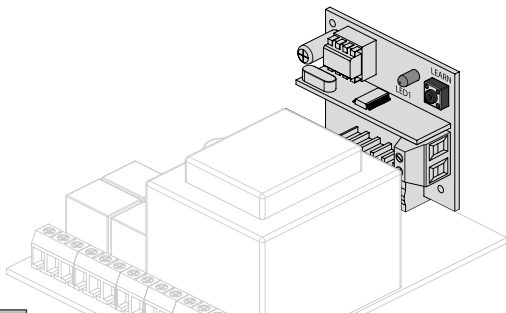


EN



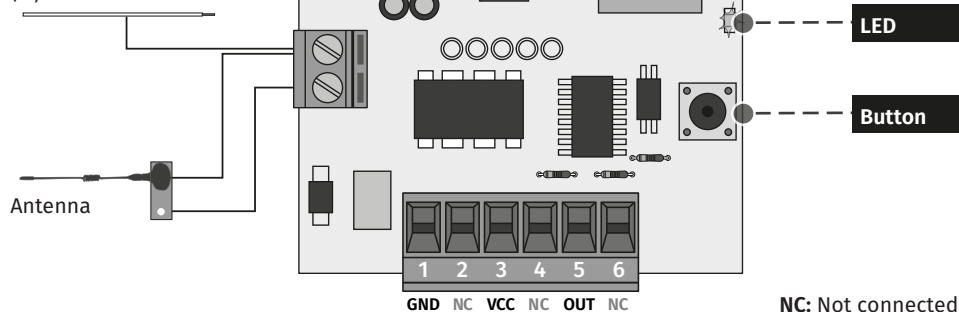
USER'S AND INSTALLER'S MANUAL

V2.1 REV.04/2024
HW: MR10_V0.1.0 | FW: MR17.V1.REV03



The MR10 receiver module allows you to control electrical and electronic equipment remotely, with one or more remote controls (via radio). This module can be used on MR12 and PCB2 boards (Glass Door interconnection module).

Single-wire antenna
Ø1,5mm



LEGEND OF THE CONECTORS

1	GND	4	No connection
2	No connection	5	Open collector output (max 40V 50ma)
3	VCC +5Vdc	6	No connection

TECHNICAL CHARACTERISTICS

• Frequency	433,92 MHz
• Power Supply	5Vdc
• Maximum Consumption	20mA to 5Vdc
• Code type	12 Bit or Rolling Code
• Tx Codes memorization	500 Max.
• Open collector output	Max. 40V 50ma
• Temperature	-25°C to +55°C
• Range in open space	50-100m
• Protection class	IP 22

• TYPE OF CHANNEL OPERATION

The receiver has the ability to operate in monostable and bistable mode. In the default settings, the receiver is set to operate in monostable mode.

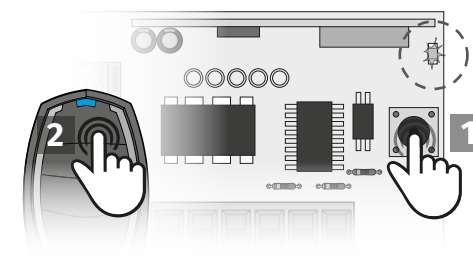
To change to bistable:

- 01 • Disconnect power from receiver.
 - 02 • Press the programming button continuously.
 - 03 • Return power to the receiver, keeping the button pressed.
 - 04 • The LED will flash once, confirming the change of mode.
- NOTE** • To return to monostable, repeat the previous operation.

• REMOTE CONTROL PROGRAMMING

Programming of the remote controls must be carried out with the antenna disconnected, up to a maximum number of 500 codes:

- 1 Press the programming button once. **The LED will start flashing.**
- 2 Send the code with the remote control to be programmed.



Led stays on: programming is complete.
Led blinks rapidly (32 times): Memory is full.

• ACTIVATE THE OUTPUT

When pressing the button of a remote control memorized in the receiver, the output will be activated for 1 second in the monostable mode, and it will change state in the bistable mode.

• RESET THE RECEIVER

To delete all remote controls in memory, press the button for 10 seconds. The output will be activated for one second and the led will flash 5 times.