

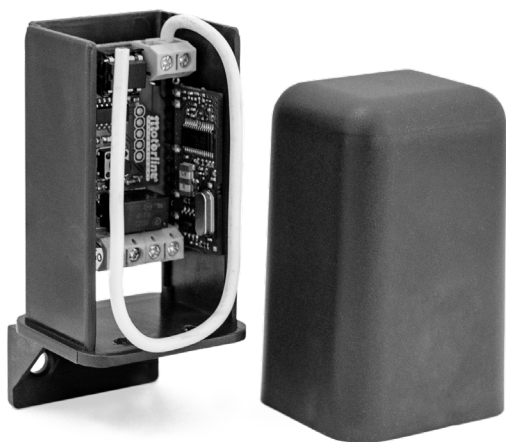


# MR17



REV.04/2024  
V2.5

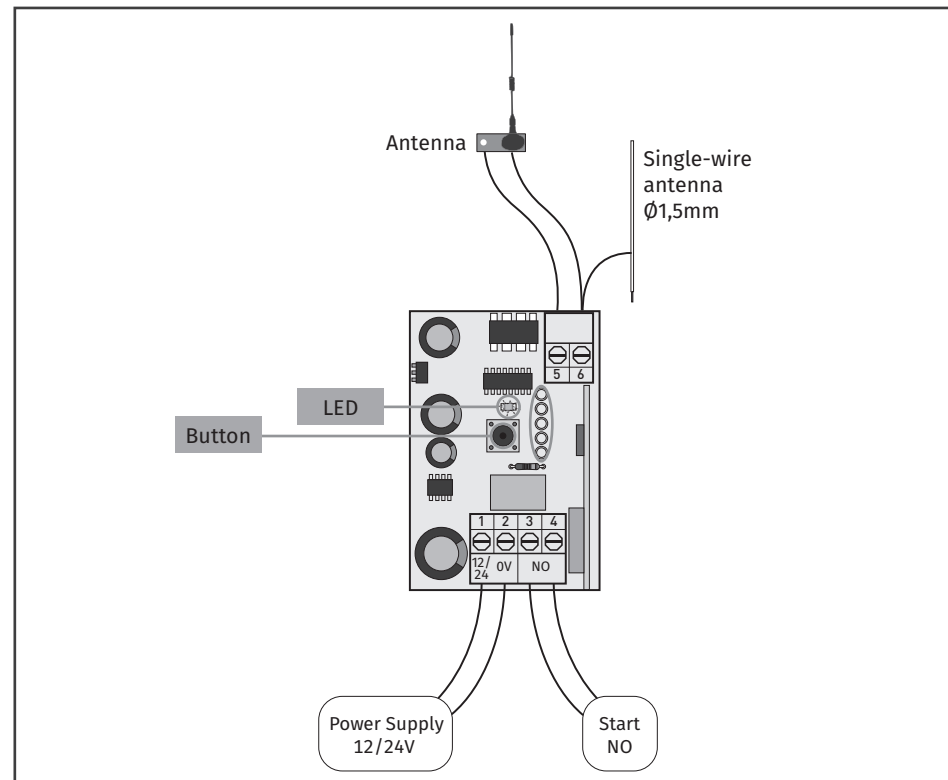
## USER'S AND INSTALLER'S MANUAL



The MR17 receiver can operate electrical and electronic equipment remotely, with one or more commands (by radio).

### CHARACTERISTICS FRAME

• Operation Frequency	433,92 MHz
• Power Supply	12-24Vac/dc
• Maximum Consumption	40mA at 24Vdc 80mA at 24Vac
• Code type	12 Bit or Rolling Code
• Tx Codes memorization	500 Máx.
• Relay	30Vdc 1A
• Temperature	-25°C to +55°C
• Range in open space	50-100m
• Protection Grade	IP 42



### LEGEND OF THE CONECTORS

01 • Power supply 12-24Vac/dc	04 • Contact output CH1 - NO
02 • Power supply 0V	05 • Antenna mass input
03 • Contact output CH1 - NO	06 • Antenna hot pole input

### TYPE OF CHANNEL OPERATION

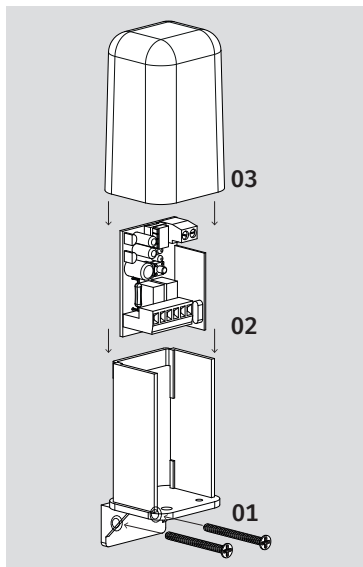
The receiver has the ability to operate in monostable and bistable mode. In the default settings, the receiver is set to operate in monostable mode.

**To change to bistable:**

- 01 • Unplug the receiver.
- 02 • Press the programming button continuously.
- 03 • Holding down the button, plug again the receiver.
- 04 • The LED will flash once, confirming the change of mode.

**NOTE** • To return to monostable, repeat the previous operation.

## RECEIVER INSTALLATION



It is very important to choose the place of installation carefully in order for the transmitter and the receiver to function well. Capacity is not only conditioned by the technical features of the device, but also varies depending on the radio-electric conditions of the place.

The receiver is provided with a local antenna. If you choose an external antenna, it should be positioned on the outside, in highly visible spots and away from metal structures. You can not install two receivers if not respected a minimum distance of 5 meters between them.

### Installation:

- 01 • Fix the support on the wall.
- 02 • Place the board on the support, sliding it between the existing support ledges.
- 03 • Place the cover to close.

## PROGRAMMING

### • ACTIVATE THE OUTPUT

When you press the key of a command recorded in the receiver, the output will be activated for 1 second in the monostable mode, and it will change state in the bistable mode.

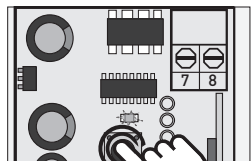
### • RESET THE RECEIVER

To delete all commands in memory, press the button for 10 seconds. The output will be activated for one second and the led will flash 5 times.

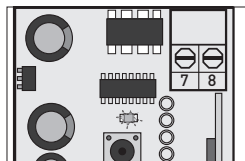
## PROGRAMMING

### • COMMAND PROGRAMMING

Programming of the radio controls must be carried out with the antenna disconnected, up to a maximum number of 500 codes.



01 • Press the programming button once.



02 • The LED will start flashing.



03 • Send the code with the radio control to be programmed.



Led stays on: programming is complete.  
Led blinks rapidly (32 times): Memory is full.