



EF70

INSTALLER AND USER'S MANUAL

V1.3
REV. 01/2024



PLEASE READ THESE INSTRUCTIONS BEFORE INSTALLING ELECTROMAGNETIC LOCK

- Handle the equipment with care, damaging the mating surfaces of the magnet or armature plate may reduce locking efficiency.
- The magnet mounts rigidly to the door frame, the armature plate mounts to the door with hardware. Kit provided that allows it to pivot about its center to compensate for door wear and misalignment.
- Template use must take place with door in its normally closed position.
- Before installing, please add thread locker to all screws. Firmly tighten screws to avoid fastening loosen.

12Vdc Input

- Minimum consumption of 110mA

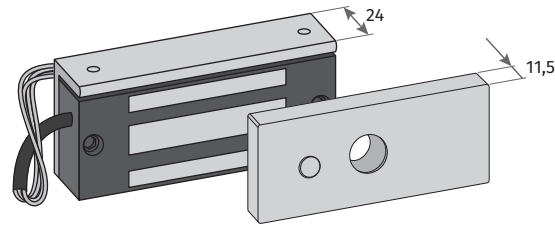
- Connect the red and black cable to the V + input of a power supply.

24Vdc Input

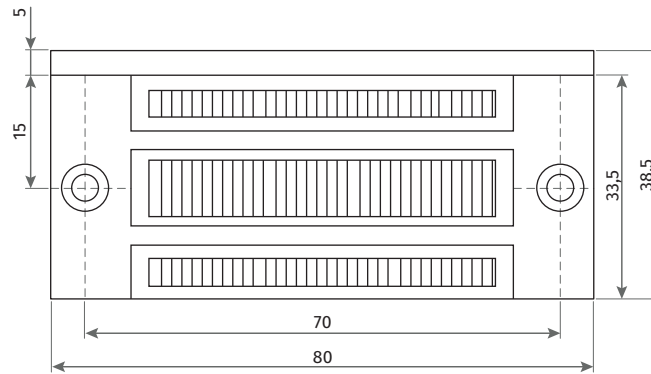
- Minimum consumption of 220mA

- Connect the red cable to the V + input of a power supply.
- Connect the green and black cable to each other.
- Connect the white cable to the V- input of a power supply.

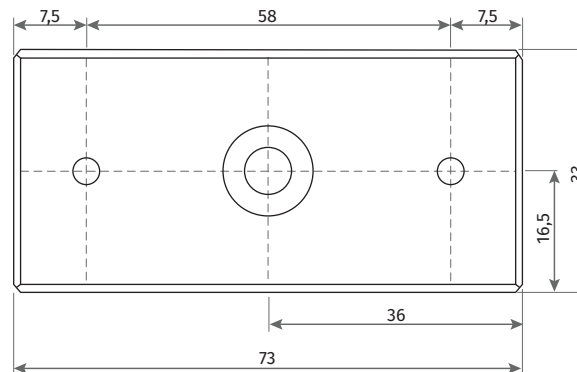
PRODUCT



Electromagnetic lock dimensions

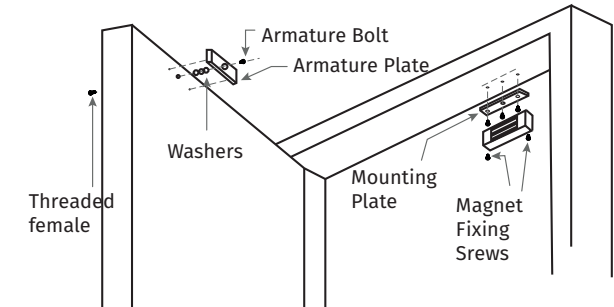


Metal plate dimensions



Measurements in (mm).

INSTALLATION



Fix the armature plate not too tightly, and make the rubber washer more flexible, in order to make the armature plate automatically adjust its proper position with the magnet.

STEP 1 • Fold template along dotted line. Place holes as indicated on template. Place template against door and head frame. Drill holes as indicated on template.

STEP 2 • Install the metal plate on the door. To do this, place three washers between the plate and the door (1 rubber washer inserted between two steel washers), and secure all parts with screw and threaded female.

STEP 3 • Install the mounting plate. Adjust the mounting plate so that it and the armature plate form a right angle. Using the mounting plate as a template, drill the wire hole. Drill and install the remaining mounting screws.

STEP 4 • Install magnet mounting plate with DIN982 screws supplied.

STEP 5 • Install electrical wiring per instruction sheet.

STEP 6 • Test all functions of this model (see wiring instruction).

