



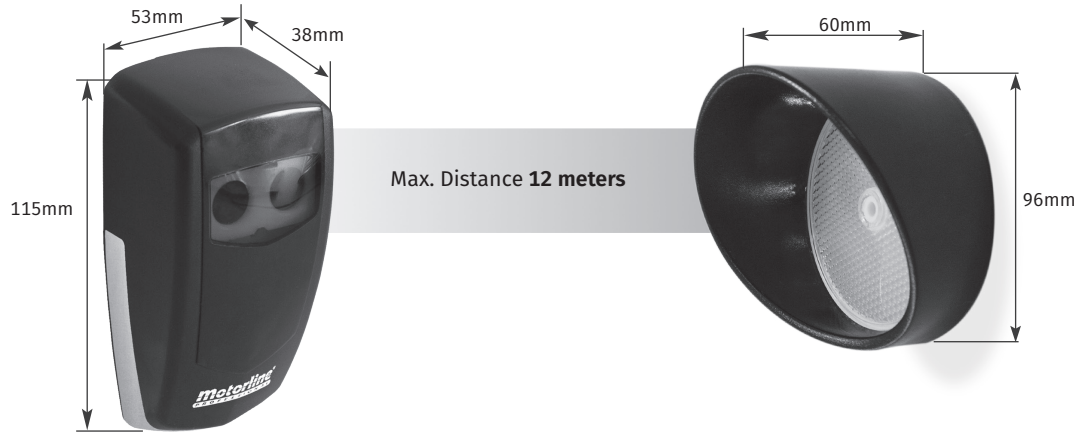
# MFE



V1.5 REV. 04/2022



## OPERATION/PROGRAMMING MANUAL



### TECHNICAL CHARACTERISTICS

• Power supply	AC 12/24V - DC 12/24/36V
• Consumption	100mA
• Distance	12 meters
• Working Temperature	-25°C ~ +65°C
• Relay Capacity	"Volt-free contacts"
• Protection grade	IP54
• Polarization filter	This feature prevents reflections caused by reflective objects.

### LEDs

Red	Orange	Green	Signal strength
			No signal
			Low
			Medium
			High

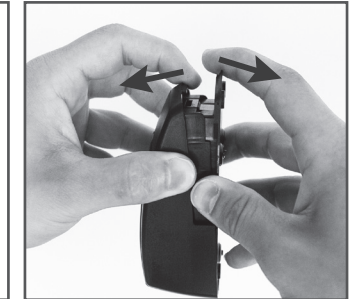
## OPEN THE PHOTOCELL



01 • Press the chrome part in the areas indicated in the image.

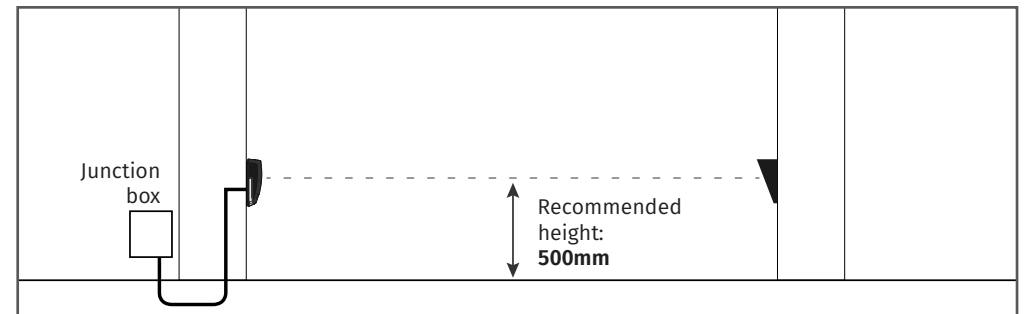


02 • Slide the chrome part.

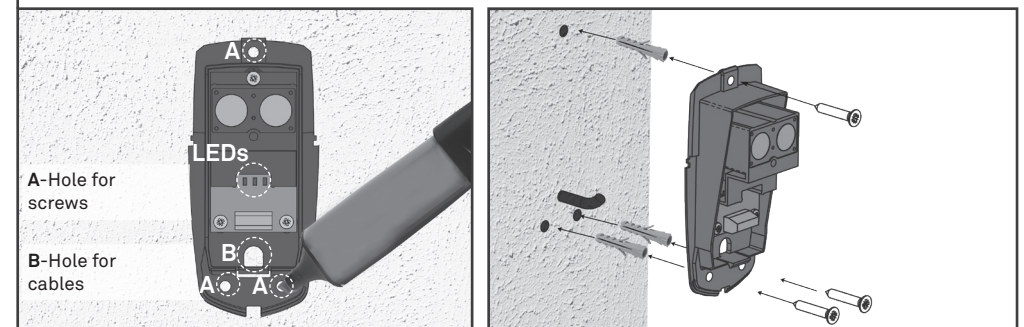


03 • Open the photocell by separating the pieces from the bottom part.

## INSTALLING THE PHOTOCELL



### 01. FIXING THE PHOTOCELL



01 • Place the photocell base in the desired location so that the power cable passes through the hole in the base.

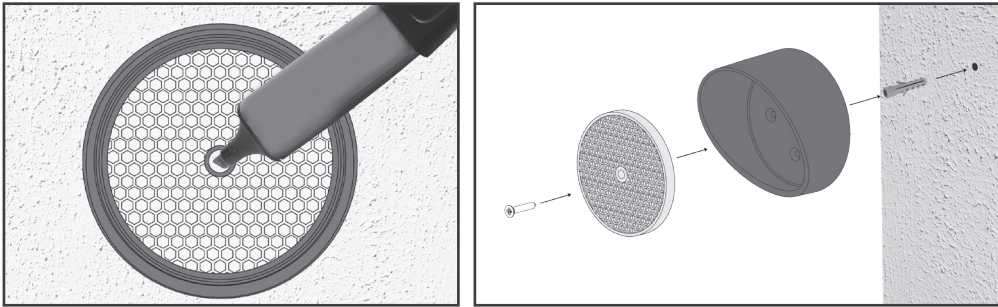
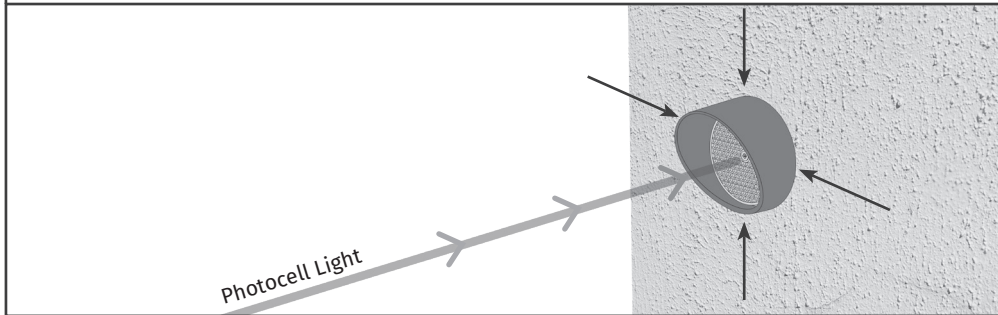
02 • Mark the location of the 3 fixing holes and drill the holes.

03 • Secure the photocell with suitable bushings and screws.

04 • Connect the wires to the circuit board (wiring diagram image).

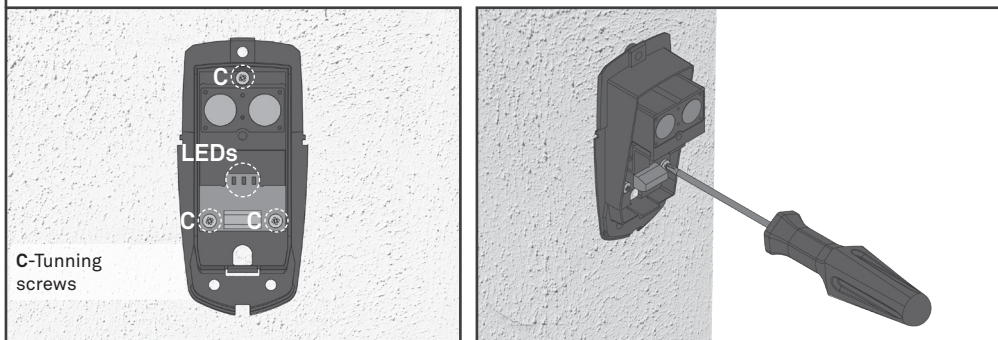
05 • Turn on the photocell without placing the photocell cover.

## 02. MIRROR PLACEMENT



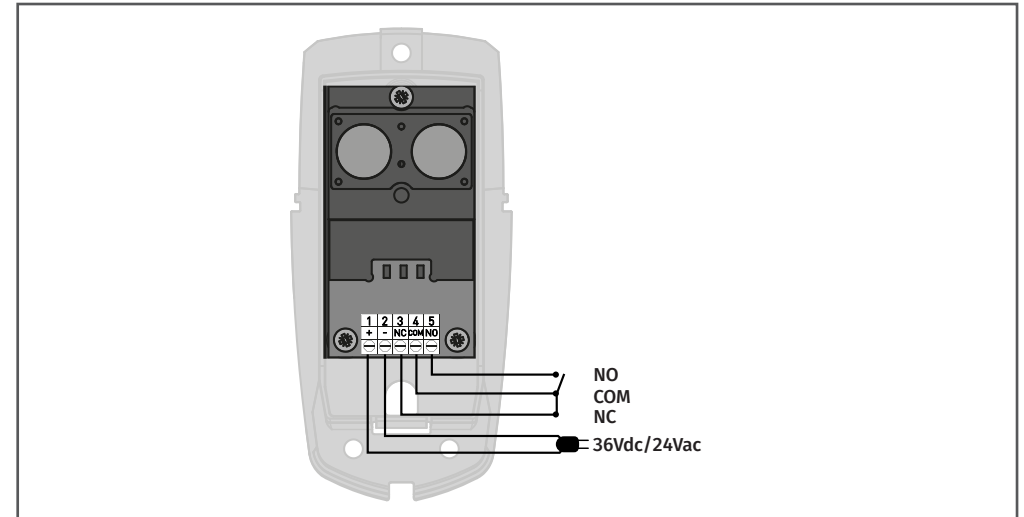
- 01 • Place the mirror in front of the photocell, with the help of the light from the photocell.
- 02 • Make use of the indicator lights to set the best location for fixing the mirror.
- 03 • Mark the location of the fixing hole and drill.
- 04 • Secure the mirror with the appropriate bushing and screw.

## 03. PHOTOCELL TUNING



- 01 • If there is no signal, or if the signal is low, use the tuning screws to adjust the direction of the light to increase the signal.

## WIRING DIAGRAM



The MFE is designed to protect any light disturbance. However, too much light can cause unstable conditions with the sensor, such as; strong sunlight directed or reflected exactly in the sensor's field of view. It is recommended to avoid such installation.

The existence of ice, snow, fog or smoke can interfere with the operation of the photocell.